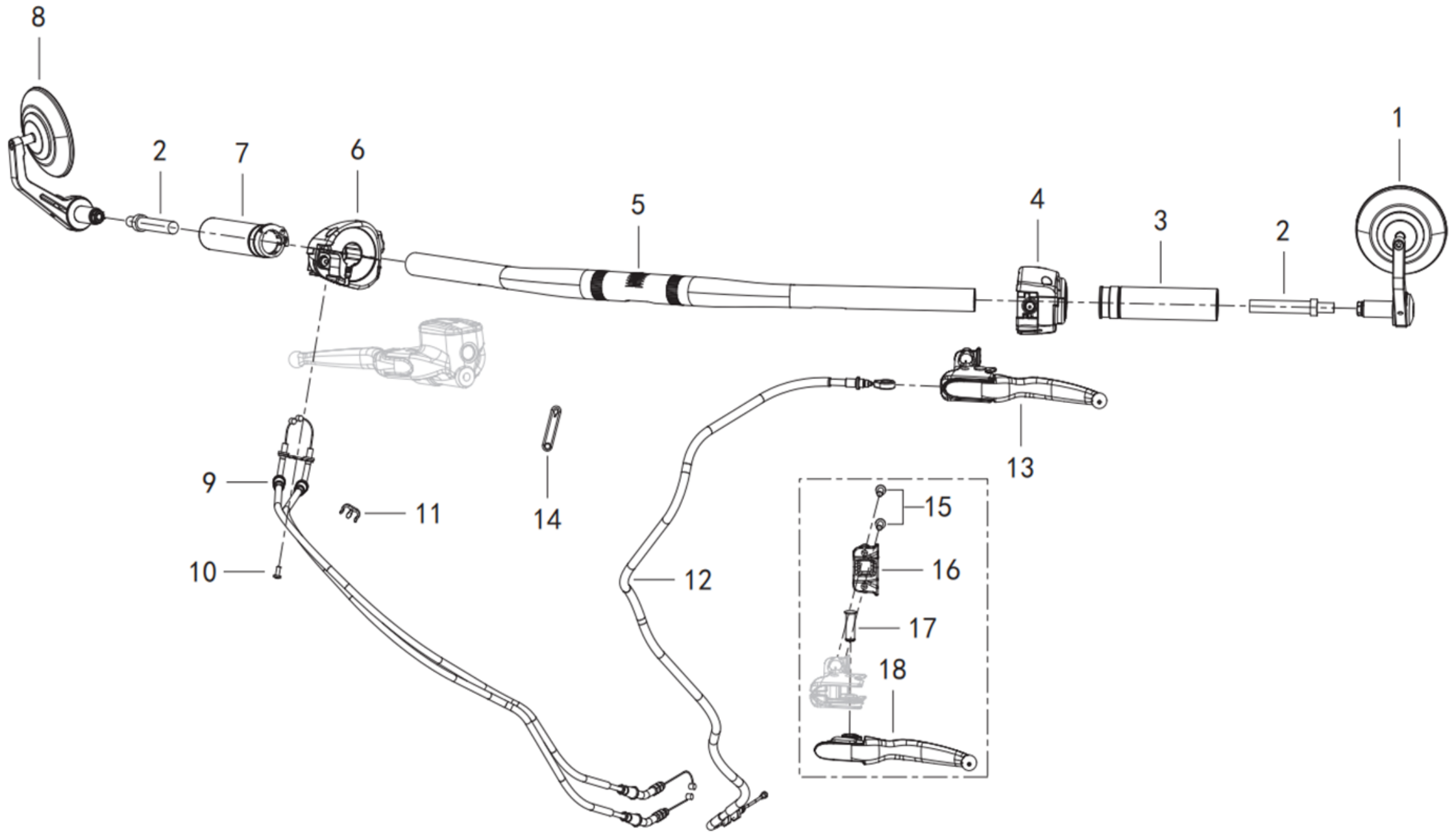


SRV 600 V

PARTS CATALOG

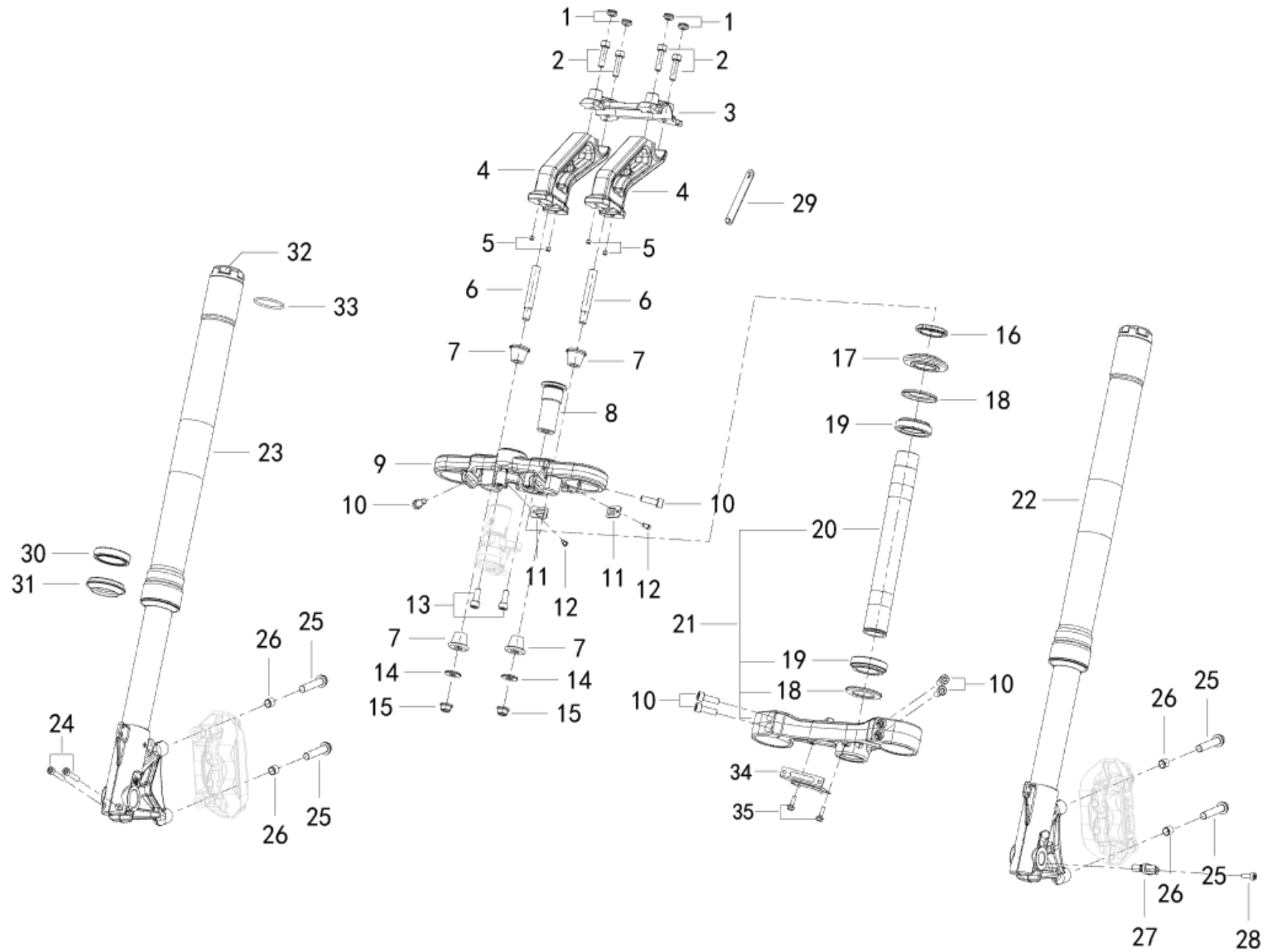


F01 CONTROL ASSY.



NO.	CODE	EN DESCRIPTION	QTY	REMARKS
F01-01	40450PBP0001	LEFT REARVIEW MIRROR ASSEMBLY	1	
F01-02	40031S010000	BALANCE BLOCK	2	
F01-03	40001PC20000	LEFT GRIP COMPONENT	1	
F01-04	40500P530000	LEFT COMBINATION SWITCH	1	
F01-05	40101PC20000	DIRECTIONAL HANDLE	1	
F01-06	40600P530001	RIGHT COMBINATION SWITCH	1	
F01-07	40210PC20000	RIGHT GRIP COMPONENT	1	
F01-08	40480PBP0001	RIGHT REARVIEW MIRROR ASSEMBLY	1	
F01-09	40300PC20000	THROTTLE CABLE ASSEMBLY	1	
F01-10	B0200040102K	CROSS RECESSED PAN HEAD SCREW M4×10	1	
F01-11	43035J040000	ODOMETER CABLE CLAMP	1	
F01-12	40400PC20000	CLUTCH CABLE ASSEMBLY	1	
F01-13	40080PBD0000	LEFT HANDLE ASSEMBLY	1	
F01-14	96003P250000	CORD CLAMP	2	
F01-15	B02810602562	SCREW M6×25-8.8-ZG	2	
F01-16	45023PBD0000	HANDLE FIXING COVER	1	
F01-17	40087PBD0000	LEFT HANDLE CONNECTING PIN	1	
F01-18	40084PBD0000	CLUTCH LEVER	1	

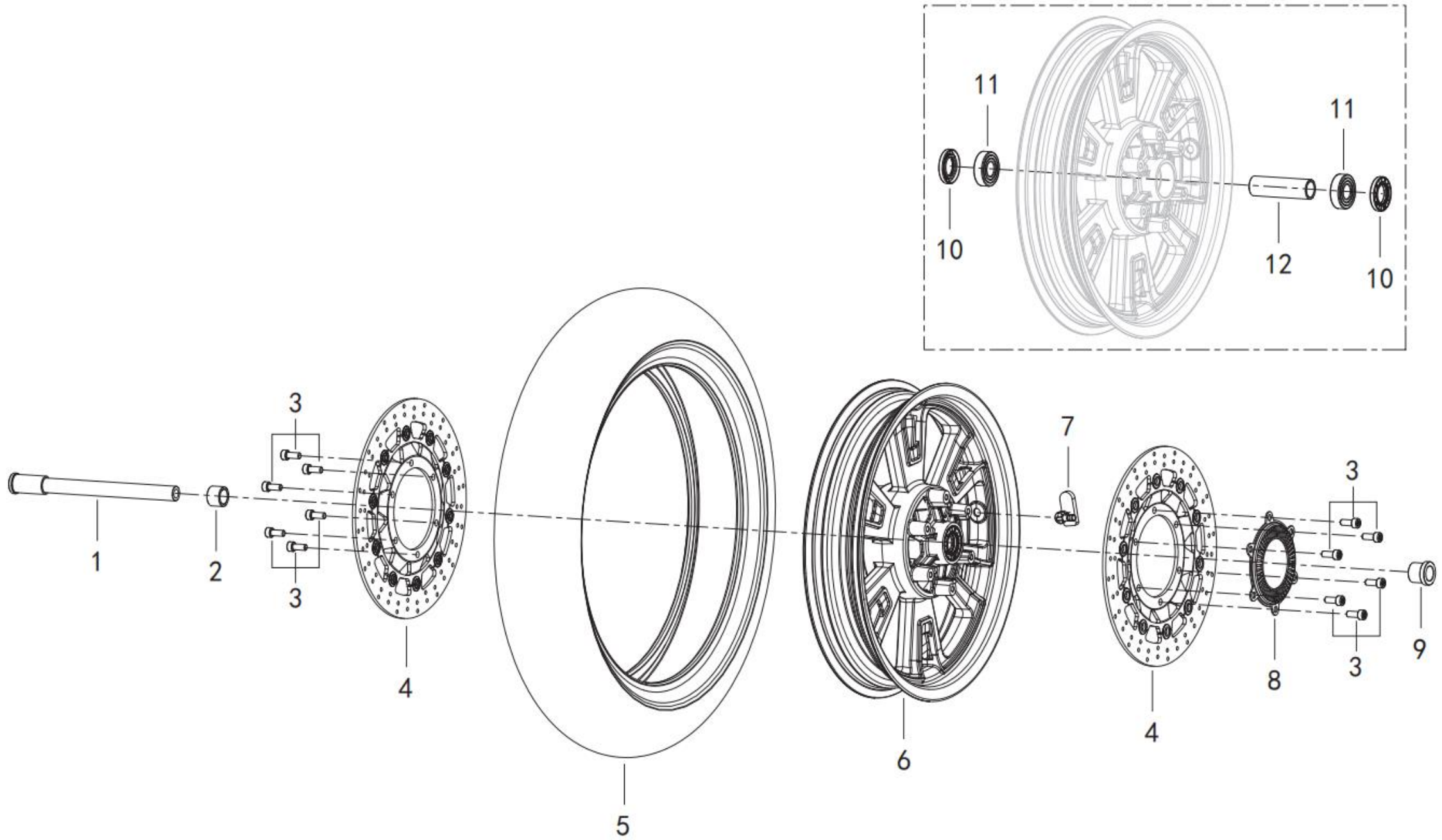
F02 FORK ASSY.



NO.	CODE	EN DESCRIPTION	QTY	REMARKS
F02-01	43058P810000	RUBBER PLUG ON THE UPPER SEAT OF THE STEERING HANDLE	4	
F02-02	08002P56000J	HEXAGON SOCKET HEAD CAP SCREW M8×30	4	

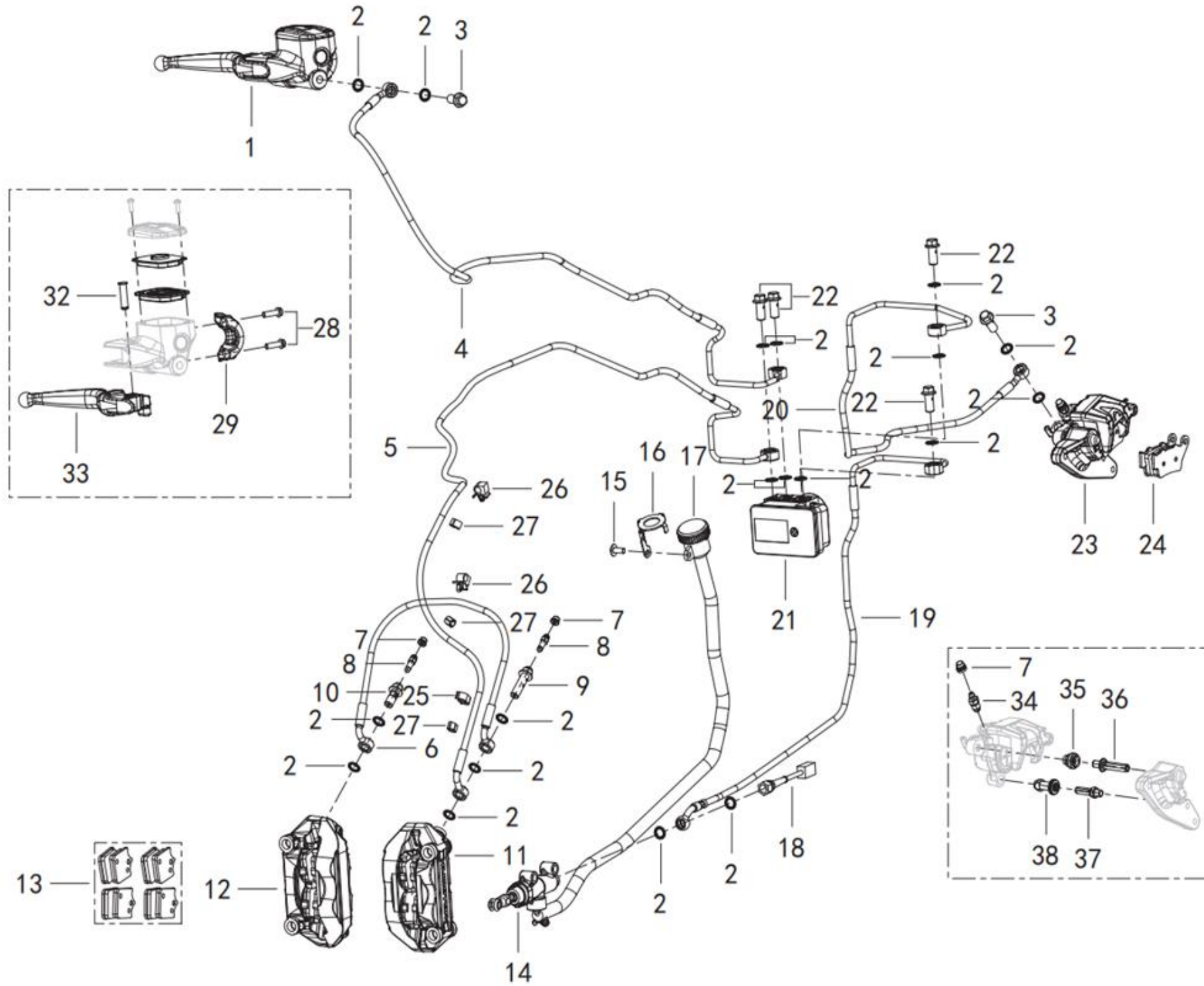
NO.	CODE	EN DESCRIPTION	QTY	REMARKS
F02-03	43014PC20000	UPPER SEAT OF STEERING HANDLE	1	
F02-04	43013PC20000	LOWER SEAT OF STEERING HANDLE	2	
F02-05	43016PBD0000	STEERING HANDLE LOWER SEAT CUSHION	4	
F02-06	40086P010000	HANDLE POSITIONING DOUBLE END STUDS	2	
F02-07	47015P010010	SILENCER PLUG	4	
F02-08	43049P800100	UPPER CONNECTING PLATE FASTENING SCREWS	1	
F02-09	43011PC20000	UPPER CONNECTING PLATE	1	
F02-10	08001P32000J	HEXAGON SOCKET HEAD CAP SCREW M8×25	6	
F02-11	43021P540000	INSTRUMENT CLAMP	2	
F02-12	B0226040106S	HEXAGON LOBULAR CYLINDRICAL HEAD SCREW M4×10	2	
F02-13	08001P62000J	HEXAGON SOCKET HEAD CAP SCREW M8×20	2	
F02-14	40089P010100	HANDLE POSITIONING GASKET	2	
F02-15	B04821012552	SELF LOCKING NUT M10×1.25	2	
F02-16	43008S010100	UPPER CONNECTING PLATE FASTENING NUT	1	
F02-17	43009S010100	NUT	1	
F02-18	43005S010000	DUST RING	2	
F02-19	43130S010000	STEERING BEARING	2	
F02-20	43101P25000Z	DIRECTION COLUMN ANTI LOOSENING RING COMBINATION	1	
F02-21	43100PC2000Z	STEERING STEM ASSY	1	
F02-22	43200PC20000	FRONT LEFT SHOCK ABSORBER ASSEMBLY	1	
F02-23	43300PC20000	FRONT RIGHT SHOCK ABSORBER ASSEMBLY	1	
F02-24	08002P32005J	HEXAGON LOBULAR CYLINDRICAL HEAD SCREW M6×30	2	
F02-25	08029S020300	BOLT M10×1.25×55	4	
F02-26	130015090000	POSITIONING SLEEVE	4	
F02-27	45710P100000	FRONT WHEEL SPEED SENSOR	1	
F02-28	08002P32002J	HEXAGON LOBULAR CYLINDRICAL HEAD SCREW M6×16	1	
F02-29	49371T620001	SHUTOFF VALVE FLEXIBLE CLAMP	2	
F02-30	43260N220010	OIL SEAL.FRONT SHOCK ABSORBER 41 x 54 x 11	2	
F02-31	43290N220001	DUST SEAL,MARK:NOK, SIZE: 41 x 54.4 x 5.4 x 13.1	2	
F02-32	43304PC20000	BOLT	2	
F02-33	B190104170B0	O-RING Φ 41.7×Φ 2.65	2	

F03 FRONT WHEEL ASSY.



NO.	CODE	EN DESCRIPTION	QTY	REMARKS
F03-01	44004P530000	FRONT WHEEL AXLE	1	
F03-02	44016P100100	FRONT WHEEL RIGHT LINER	1	
F03-03	08001P62000J	HEXAGON SOCKET HEAD CAP SCREW M8×20	12	
F03-04	45030P530000	FRONT BRAKE DISC ASSEMBLY	2	
F03-05	B140108F1620	VACUUM TIRE 130/90-16	1	
F03-06	44100PC2000Z	FRONT WHEEL RIM ASSEMBLY	1	
F03-07	95950P850000	TIRE SENSING SENSOR	1	
F03-08	45702P160000	FRONT WHEEL SPEED GEAR RING	1	
F03-09	44005P160100	FRONT WHEEL LEFT COLLAR	1	
F03-10	60200J000001	DUST RING ASSEMBLY	2	
F03-11	B12016020400	ROLLING BEARING 6204-2RS	2	
F03-12	44006P530000	FRONT WHEEL INTERMEDIATE SHAFT SLEEVE	1	

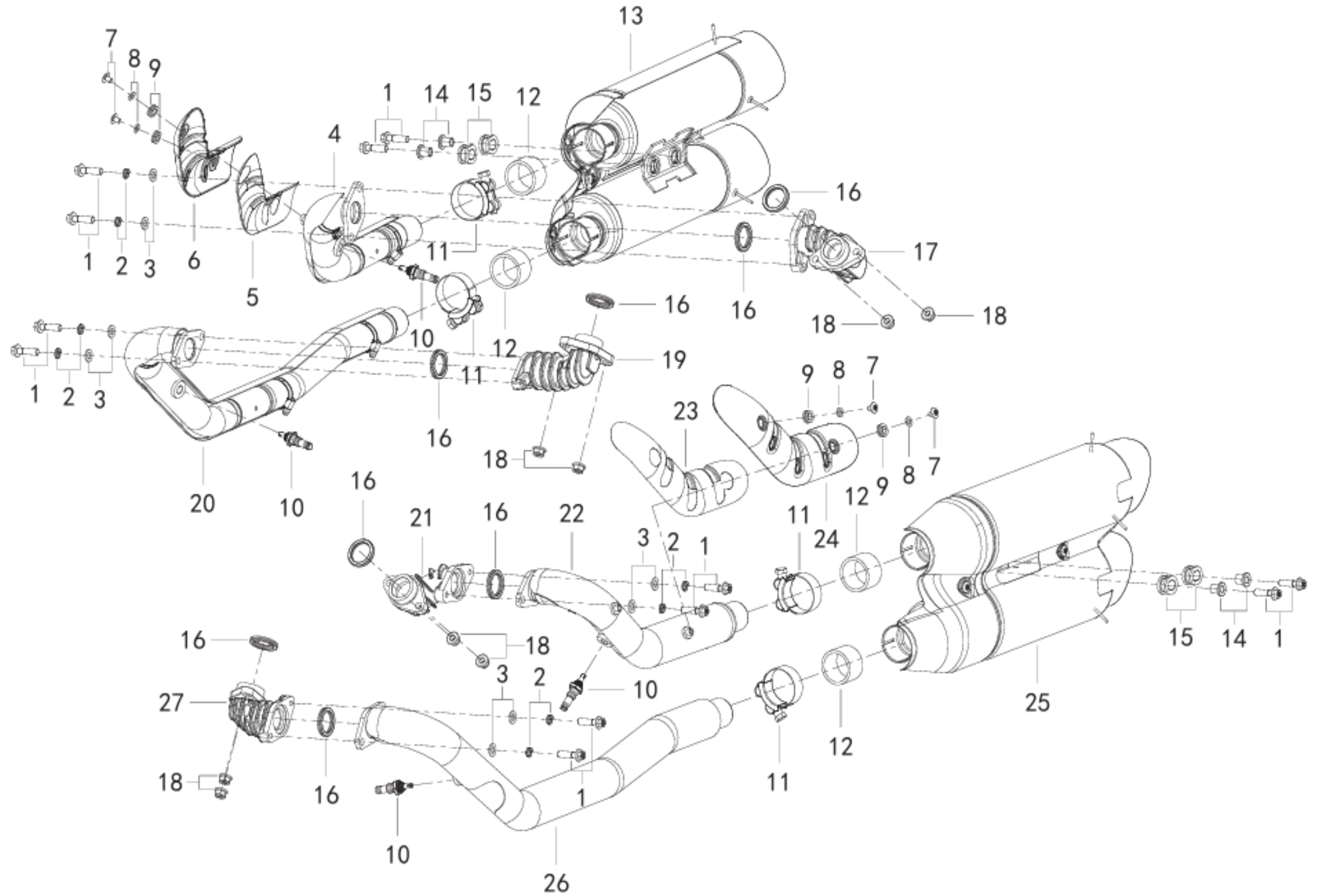
F04 BRAKE ASSY.



NO.	CODE	EN DESCRIPTION	QTY	REMARKS
F04-01	45400PC20000	FRONT OIL PUMP BODY ASSEMBLY	1	
F04-02	45078P440001	WASHERS	19	
F04-03	45037J000200	CONNECTING BOLTS	2	
F04-04	45240PC20000	FRONT HYDRAULIC BRAKE OIL PIPE ASSEMBLY I	1	
F04-05	45270PC20000	FRONT HYDRAULIC BRAKE OIL PIPE ASSEMBLY II	1	
F04-06	45250PC20000	FRONT HYDRAULIC BRAKE OIL PIPE ASSEMBLY III	1	
F04-07	45021B510000	DUST COVER FOR VENT NOZZLE	3	
F04-08	45019N100100	VENT NOZZLE	2	
F04-09	45037P150101	BRAKE HOSE BANJO BOLT M10×1.0	1	
F04-10	45037P360100	BRAKE HOSE BANJO BOLT M10×1.0	1	
F04-11	45500P41BG00	FRONT LEFT BRAKE CALIPER ASSEMBLY	1	
F04-12	45600P41BG00	FRONT RIGHT BRAKE CALIPER ASSEMBLY	1	
F04-13	45120S010011	FRONT BRAKE PAD ASSY (8PCS/SET)	1 SET	
F04-14	55400PC20000	REAR OIL PUMP BODY ASSEMBLY	1	
F04-15	08002P620002	HEXAGON LOBULAR FLANGE SCREW M6×14	1	
F04-16	57041V030001	OIL CUP ANTI DISASSEMBLY COVER	1	
F04-17	55140P260000	REAR OIL CUP ASSEMBLY	1	
F04-18	55300P180000	REAR BRAKE PRESSURE SWITCH	1	
F04-19	55240PC20000	REAR HYDRAULIC BRAKE OIL PIPE ASSEMBLY I	1	
F04-20	55270PC20000	REAR HYDRAULIC BRAKE OIL PIPE ASSEMBLY II	1	
F04-21	45700PC20000	DUAL CHANNEL ABS ASSEMBLY	1	
F04-22	55037P250100	ABS OIL PIPE BOLTS	4	
F04-23	55500P38BG01	REAR BRAKE CALIPER ASSEMBLY	1	
F04-24	55110P380001	BRAKE SHOE ASSEMBLY (2PCS/SET)	1 SET	
F04-25	43035J040000	ODOMETER CABLE CLAMP	1	
F04-26	65836P160000	PIPE CLAMP 0-435	2	
F04-27	50920S070000	SENSOR WIRE BUCKLE	3	
F04-28	B02810602562	SCREW M6×25-8.8-ZG	2	
F04-29	45023PBD0000	FIXED COVER	1	
F04-32	45096PBD0000	RIGHT HANDLE CONNECTING PIN	1	
F04-33	45022PC20001	FRONT BRAKE LEVER	1	

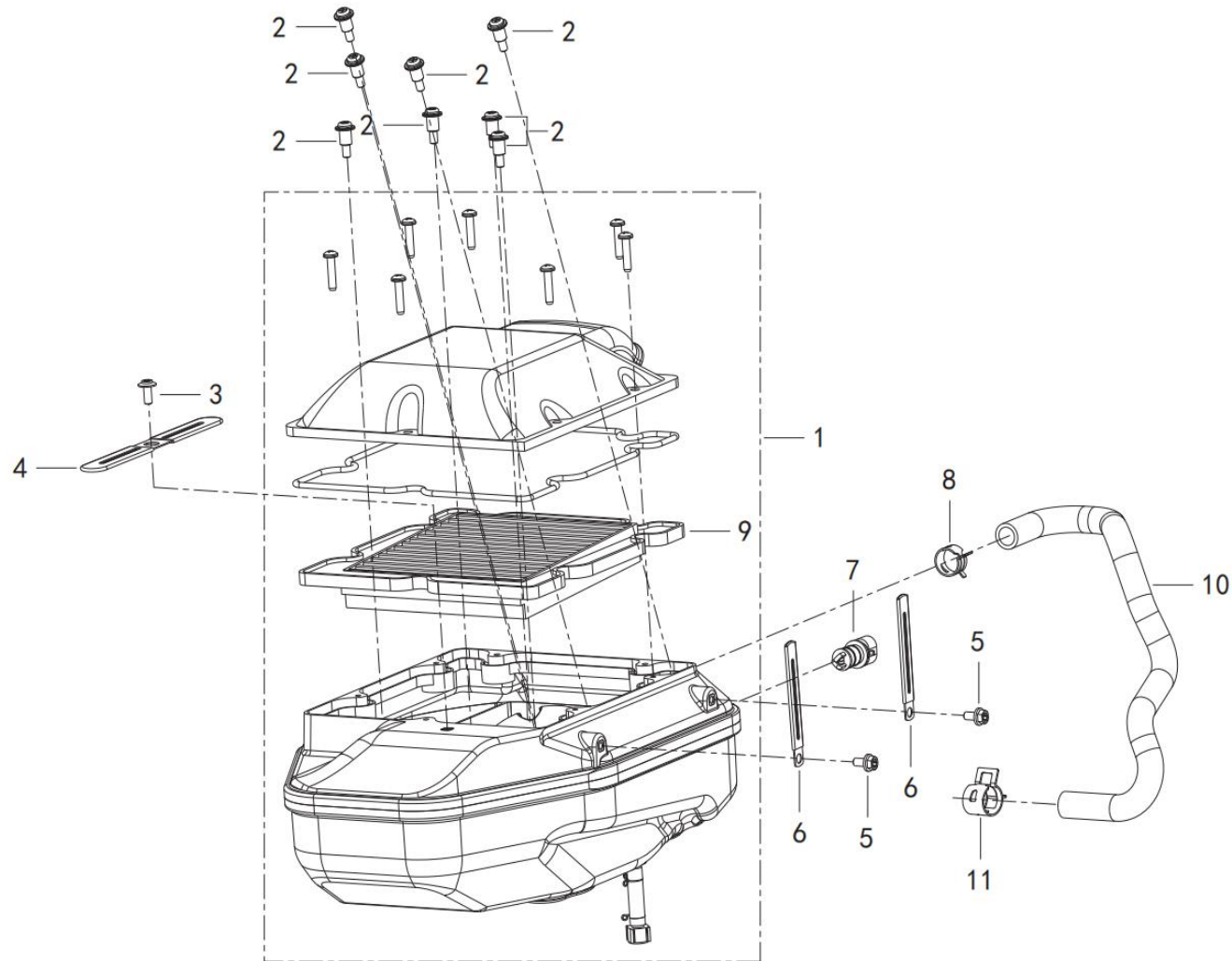
NO.	CODE	EN DESCRIPTION	QTY	REMARKS
F04-34	55019P300100	VENT NOZZLE	1	
F04-35	45015P180000	UPPER SLIDING SHAFT DUST COVER	1	
F04-36	45014P180100	UPPER SLIDING SHAFT	1	
F04-37	45018P180000	LOWER SLIDING SHAFT SLEEVE	1	
F04-38	45017P180100	LOWER SLIDING SHAFT	1	

F05 MUFFLER ASSY.



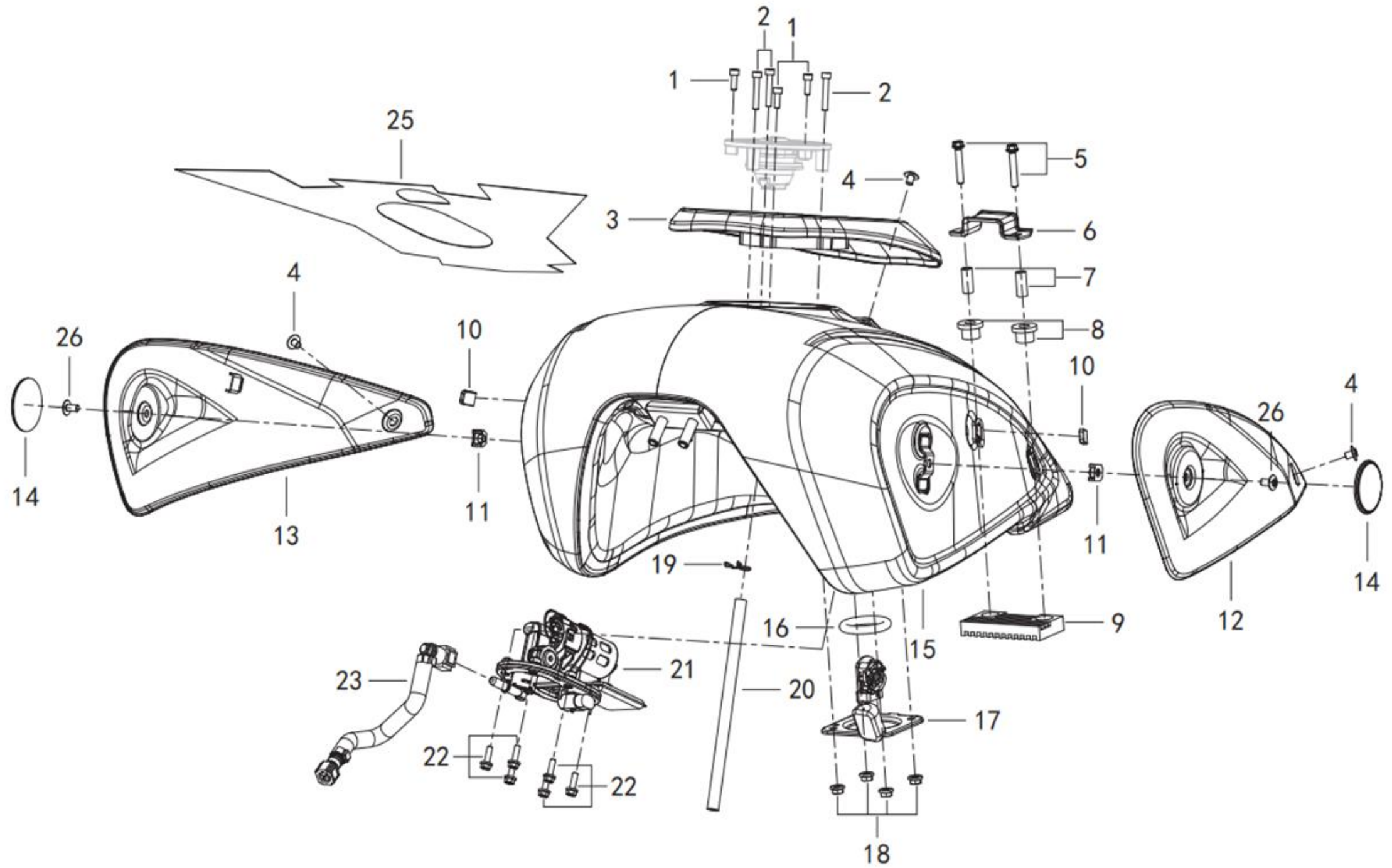
NO.	CODE	EN DESCRIPTION	QTY	REMARKS
F05-01	08014P620004	HEXAGONAL FLOWER CONCAVE HEX. FLANGE BOLT M8×30	10	
F05-02	B0700000080H	SPRING WASHER 8	8	
F05-03	B0703000080G	FLAT WASHER 8	8	
F05-04	47A00PC2002Z	REAR RIGHT EXHAUST PIPE ASSEMBLY	1	
F05-05	47044PC20000	DECORATIVE COVER INSULATION TIN FOIL PAPER	1	
F05-06	47764PC20000	RIGHT OUTER DECORATIVE COVER	1	
F05-07	08002P620000	HEXAGON LOBULAR FLANGE SCREW M6×8	4	
F05-08	B0703000060A	WASHERS Φ 6	4	
F05-09	47028P380000	RUBBER SLEEVE Φ 9×5	4	
F05-10	280586030000	OXYGEN SENSOR	4	
F05-11	48830P180100	CLAMP AS	4	
F05-12	47036P830000	GRAPHITE WASHER	4	
F05-13	48200PC2002Z	MUFFLER ASSEMBLY I	1	
F05-14	47039PC20001	BUSHING	4	
F05-15	48617PC20000	RUBBER SLEEVE	4	
F05-16	47800PC20000	GRAPHITE WOUND GASKET ASSEMBLY	8	
F05-17	47842PC20000	EXHAUST MANIFOLD II	1	
F05-18	B0417080004H	SELF LOCKING NUT M8	8	
F05-19	47841PC20000	EXHAUST MANIFOLD I	1	
F05-20	47500PC2002Z	RIGHT EXHAUST PIPE ASSEMBLY	1	
F05-21	48842PC20000	EXHAUST MANIFOLD IV	1	
F05-22	48A00PC2002Z	LEFT REAR EXHAUST PIPE ASSEMBLY	1	
F05-23	48044PC20000	DECORATIVE COVER INSULATION TIN FOIL PAPER	1	
F05-24	48764PC20000	LEFT OUTER DECORATIVE COVER	1	
F05-25	47200PC2002Z	MUFFLER ASSEMBLY II	1	
F05-26	48500PC2002Z	LEFT EXHAUST PIPE ASSEMBLY	1	
F05-27	48841PC20000	EXHAUST MANIFOLD III	1	

F06 AIR CLEANER ASSY.



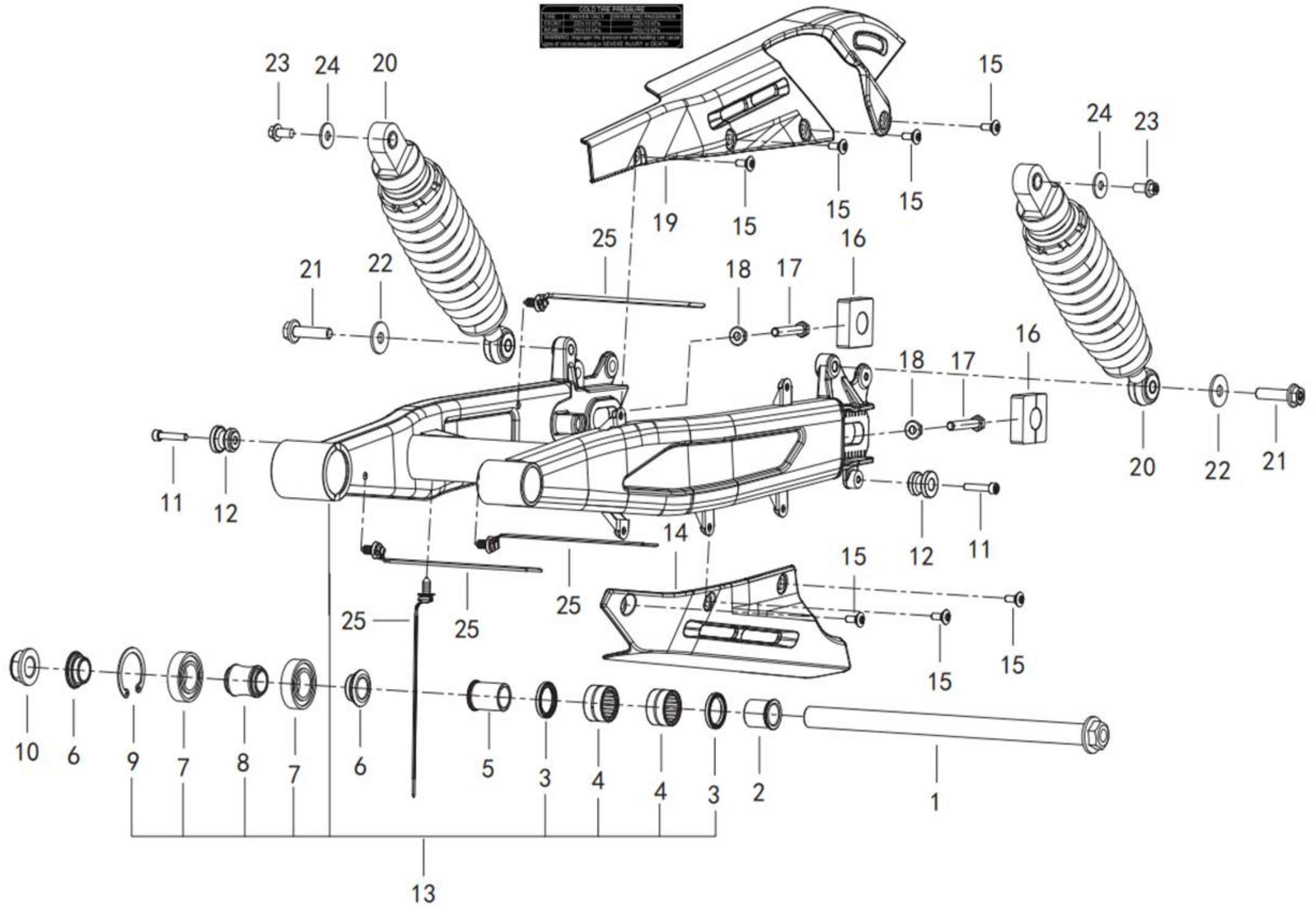
NO.	CODE	EN DESCRIPTION	QTY	REMARKS
F06-01	49100PC20000	AIR FILTER ASSEMBLY	1	
F06-02	49020P950000	SCREW M5	8	
F06-03	08001P620000	HEXAGON SOCKET FLANGE SCREW M5×12	1	
F06-04	58430J000001	WIRE CLAMP ASSEMBLY	1	
F06-05	08001P620000	HEXAGONAL FLOWER CONCAVE HEX. FLANGE BOLT M5×10	2	
F06-06	58430J000000	WIRE CLAMP ASSEMBLY	2	
F06-07	310015040000	INTAKE AIR TEMPERATURE SENSOR	1	
F06-08	49016N250200	PLATE CLAMP Φ 15.5×10×1	1	
F06-09	49200PC20000	AIR FILTER ELEMENT	1	

F07 FUEL TANK ASSY.



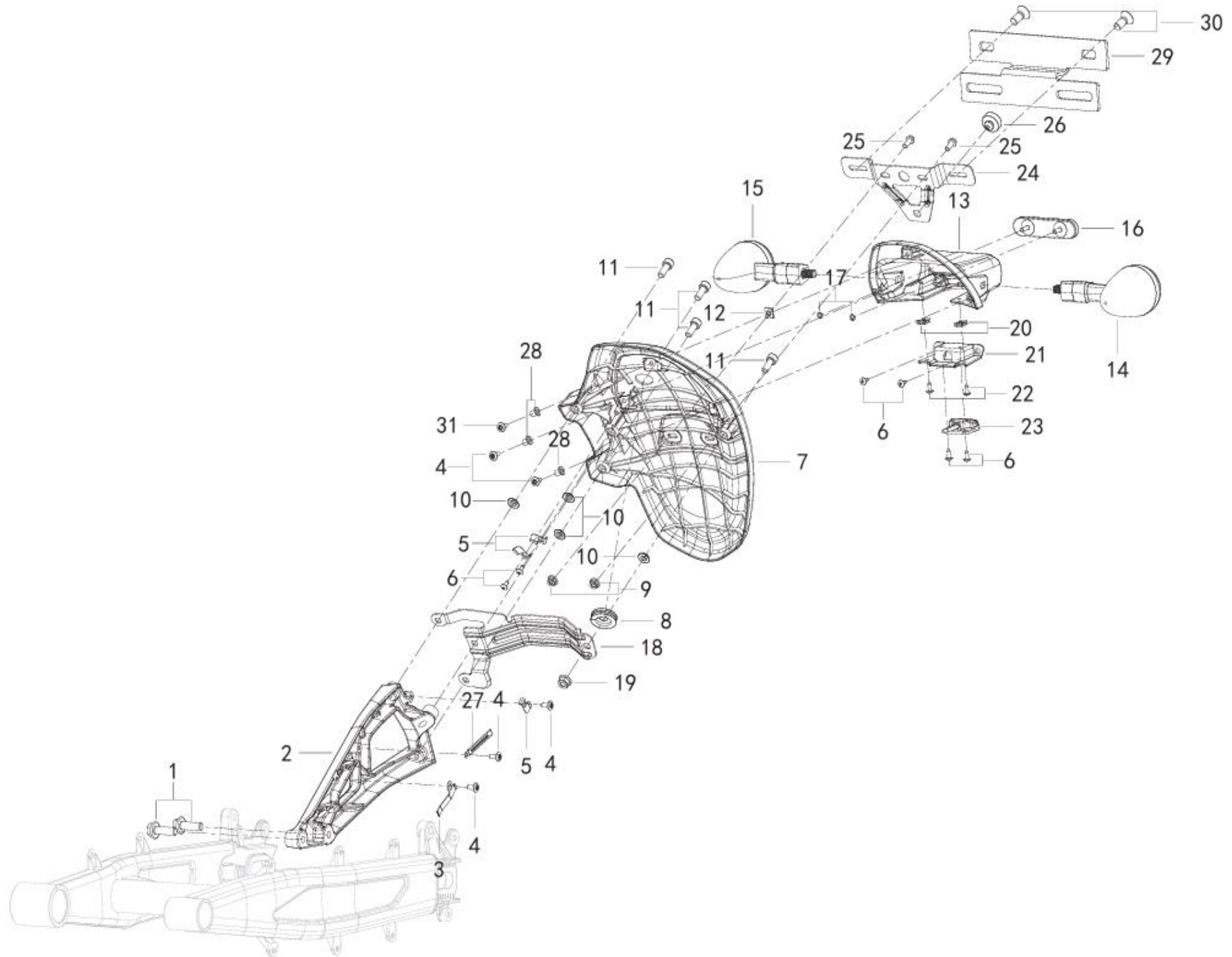
NO.	CODE	EN DESCRIPTION	QTY	REMARKS
F07-01	B0280050140A	HEXAGON SOCKET SCREW M5×14	3	
F07-02	B0280050300A	HEXAGON SOCKET SCREW M5×30	3	
F07-03	65672PC20000	FUEL TANK OPENING DECORATIVE PLATE	1	
F07-04	08002P620000	HEXAGON LOBULAR FLANGE SCREW M6×8	3	
F07-05	160306030080	HEXAGONAL TORX BOLT M6×35	2	
F07-06	50138K980000	FRONT MOUNTING SEAT OF SEAT CUSHION	1	
F07-07	50221J000101	SUPPORT SLEEVE	2	
F07-08	50222J000001	RUBBER SLEEVE	2	
F07-09	50006J000001	FUEL TANK PAD	1	
F07-10	50018L420000	FUEL TANK RUBBER SLEEVE	2	
F07-11	65624L750000	CARD NUT M6	2	
F07-12	50015PC2VM01	LEFT FUEL TANK TRIM PANEL	1	
F07-13	50016PC2VM01	FUEL TANK RIGHT TRIM PANEL,GRAY VM	1	
F07-14	05523PC20001	FUEL TANK LABEL	2	
F07-15	50100PC2001Z	FUEL TANK ASSEMBLY, BLACK BL, WITH STICKER	1	
F07-15	50100PC2006Z	FUEL TANK ASSEMBLY, SILVER S6, WITH STICKER	1	
F07-15	50100PC2007Z	FUEL TANK ASSEMBLY, MATT BLACK NJ, WITH STICKER	1	
F07-16	50002K020000	SENSOR RUBBER PAD	1	
F07-17	50800PC20000	FUEL SENSOR	1	
F07-18	B0407060005H	NUT M6	4	
F07-19	B1701010500H	STEEL WIRE CLAMP Φ 10.5	1	
F07-20	55065E070000-1	TUBING 11x7 (0.074kg)	1	
F07-21	50400PC20000	FUEL PUMP ASSEMBLY	1	
F07-22	08012P620001	HEXAGONAL FLOWER CONCAVE HEX. FLANGE BOLT M5×16	6	
F07-23	50070PC20000	HIGH PRESSURE OIL PIPE ASSEMBLY	1	
F07-25	50029PC20000	FUEL TANK INSULATION TIN FOIL PAPER	1	
F07-26	08002P620001	HEXAGON LOBULAR FLANGE SCREW M6×12	2	

F08 REAR SWINGING ARM ASSY.



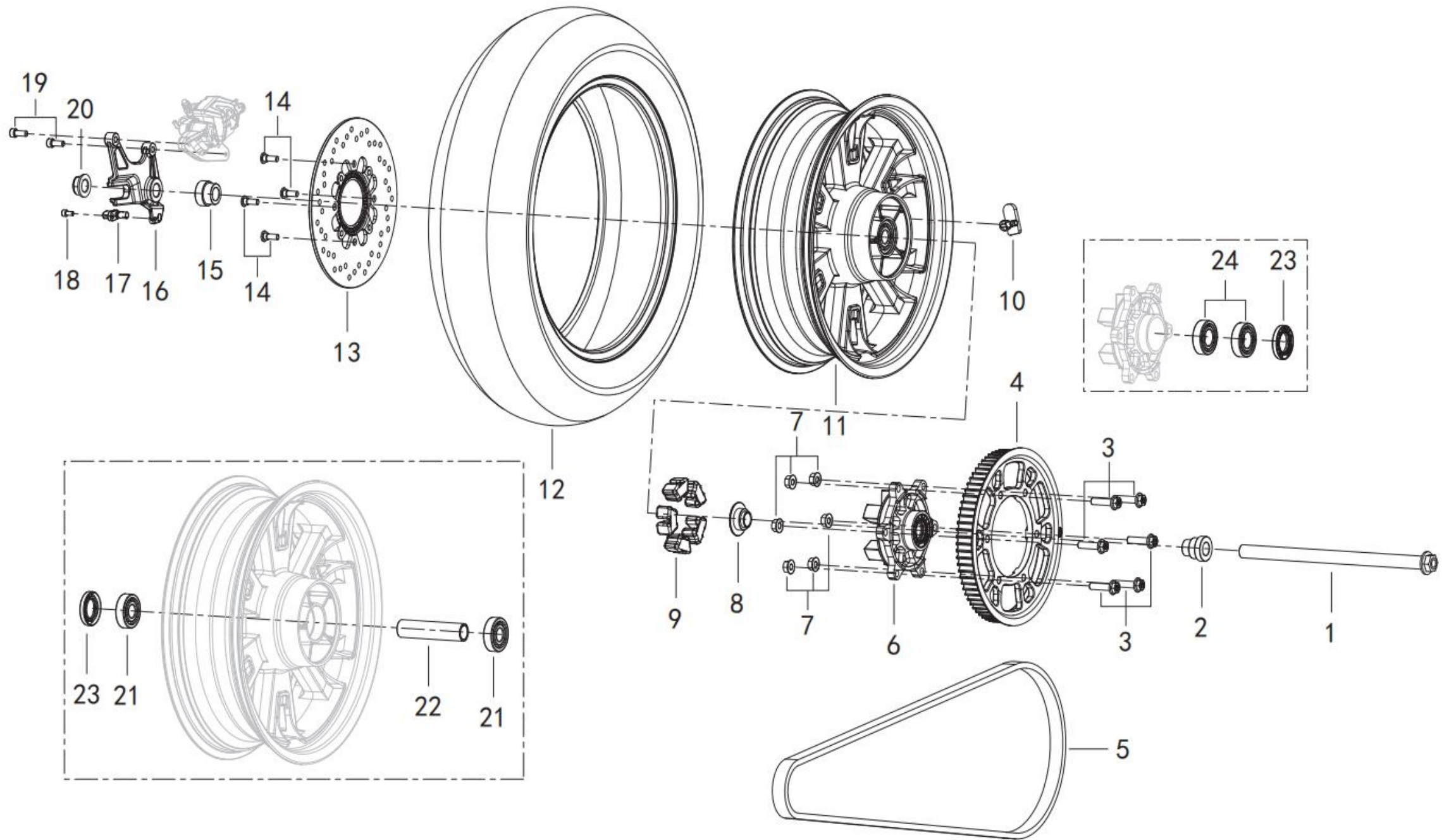
NO.	CODE	EN DESCRIPTION	QTY	REMARKS
F08-01	54004P060001	REAR WHEEL AXLE	1	
F08-02	53006P810000	REAR SWING ARM LEFT BUSHING	1	
F08-03	53220P370000	REAR SWING ARM OIL SEAL ASSEMBLY	2	
F08-04	B1210H262001	NEEDLE BEARING 26×34×20	2	
F08-05	53007P810000	REAR SWING ARM RIGHT INNER BUSHING	1	
F08-06	53006P370000	SWING ARM OUTER SLEEVE	2	
F08-07	B12016000500	BEARING 6005-2RS	2	
F08-08	53007P370000	MIDDLE BUSHING OF RIGHT SWING ARM	1	
F08-09	B08000004701	ELASTIC RETAINING RING FOR HOLE 47	1	
F08-10	08051P100100	SELF-LOCKING NUT	1	
F08-11	08002P32005J	HEXAGON LOBULAR CYLINDRICAL HEAD SCREW M6×30	2	
F08-12	53021P250000	SUPPORT SLEEVE	2	
F08-13	53100PC2000Z	REAR SWING ARM ASSEMBLY	1	
F08-14	60102PC20000	LOWER CHAIN COVER	1	
F08-15	08003P620000	HEXAGON SOCKET FLANGE STEP SCREW M6×15	7	
F08-16	53231P360000	CHAIN ADJUSTMENT BLOCK	2	
F08-17	08002P410000	CHAIN ADJUSTMENT SCREW M8×50	2	
F08-18	B0407080005H	HEXAGON FLANGE NUT M8	2	
F08-19	60101PC20000	CHAIN COVER	1	
F08-20	63800PC20000	REAR SHOCK ABSORBER ASSEMBLY	2	
F08-21	08015P620J04	HEXAGONAL FLOWER CONCAVE HEX. FLANGE BOLT M10×1.25×40	2	
F08-22	B0702000100H	LARGE WASHER Φ 10	2	
F08-23	08014P620002	HEXAGONAL FLOWER CONCAVE HEX. FLANGE BOLT M8×16	2	
F08-24	B0702000080H	WASHER 8	2	
F08-25	96001P360000	THREAD TIE	4	

F09 REAR SWINGING ARM ASSY.



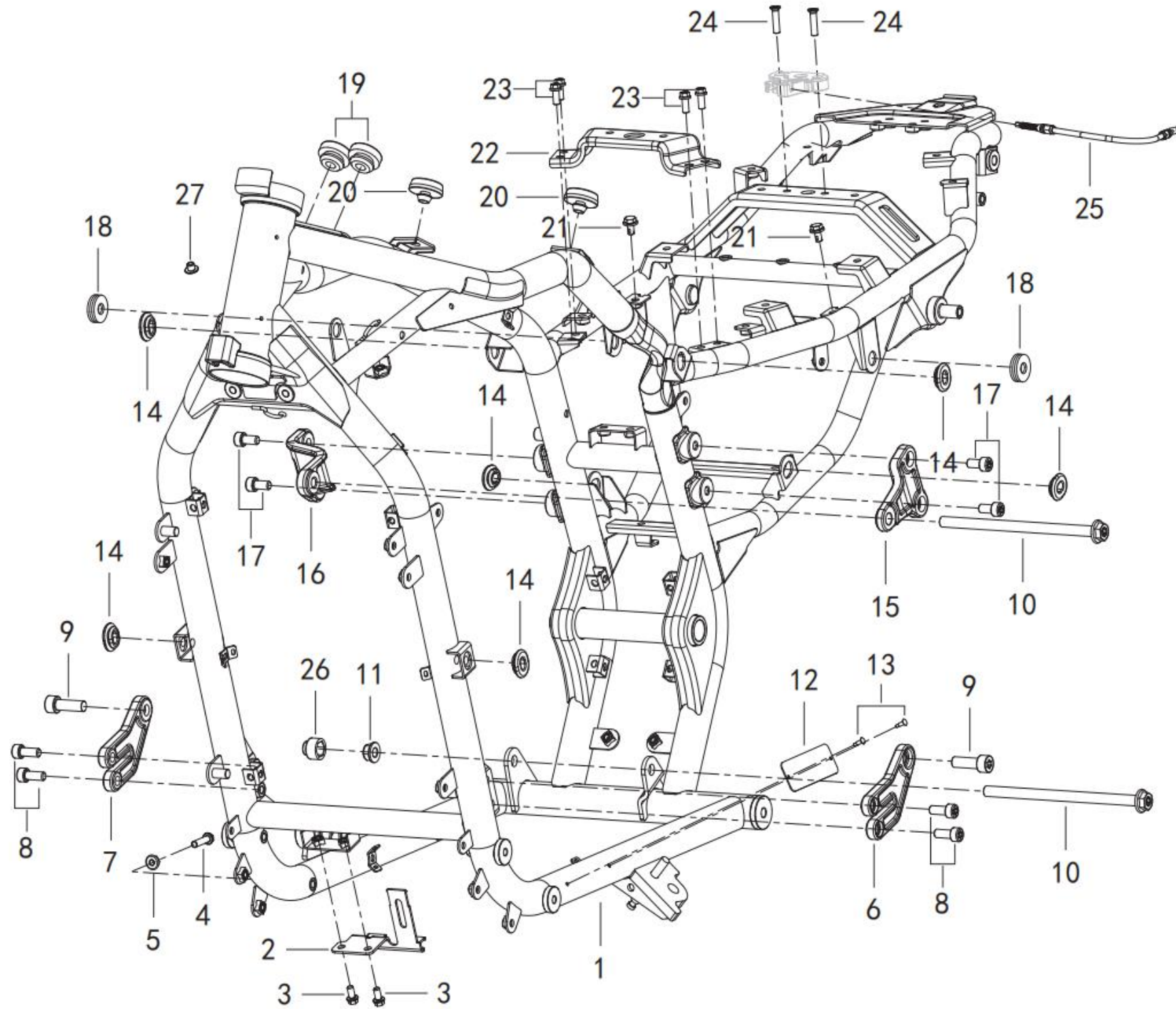
NO.	CODE	EN DESCRIPTION	QTY	REMARKS
F09-01	08015P620003	HEXAGONAL FLOWER CONCAVE HEX. FLANGE BOLT M10×1.25×30	2	
F09-02	65771PC20000	REAR MUD BOARD BRACKET	1	
F09-03	65776P290000	STAINLESS STEEL PRESSURE PLATE IV	1	
F09-04	08001P620000	HEXAGON SOCKET FLANGE SCREW M5×12	5	
F09-05	65774P290000	STAINLESS STEEL PRESSURE PLATE II	3	
F09-06	B0507420130G	CROSS RECESSED SPHERICAL HEAD TAPPING SCREW ST4.2×13	6	
F09-07	65709PC20000	REAR MUDGUARD	1	
F09-08	65704P540000	REAR MUDGUARD WIRE RUBBER	1	
F09-09	B0417060004H	SELF LOCKING NUT M6	2	
F09-10	08021J830100	FLANGE WASHER	4	
F09-11	08001P62000J	HEXAGON SOCKET HEAD CAP SCREW M8×20	4	
F09-12	65624PA20000	SNAP NUT M5	1	
F09-13	65712PC20000	REAR REFLECTOR MOUNTING PLATE	1	
F09-14	81500PC20003	LEFT REAR TURN SIGNAL LAMP	1	
F09-15	81700PC20003	RIGHT REAR TURN SIGNAL LAMP	1	
F09-16	86500B300010	REAR REFLECTOR	1	
F09-17	B0700000050A	SPRING WASHER Φ 5	2	
F09-18	65772PC20000	REAR FENDER BRACKET II	1	
F09-19	B0417080004H	SELF LOCKING NUT M8	1	
F09-20	65801T850100	CARD ST4.2	2	
F09-21	65711PC20000	LICENSE PLATE LAMP MOUNTING PLATE	1	
F09-22	B0507420101H	SELF TAPPING SCREW ST4.2×10	2	
F09-23	82900PC20000	LICENSE PLATE LIGHT	1	
F09-24	08202P160001	REAR LICENSE PLATE BRACKET	1	
F09-25	08013P620002	HEXAGONAL FLOWER CONCAVE HEX. FLANGE BOLT M6×14	2	
F09-26	51103V030000	CUSHION CUSHION RUBBER RING	1	
F09-27	58430J000000	WIRE CLAMP ASSEMBLY	1	
F09-28	54006S010010	BEARING BUSHING	3	
F29-31	08001P620101	HEXAGON SOCKET FLANGE SCREW M5×16	1	

F10 REAR WHEEL ASSY.



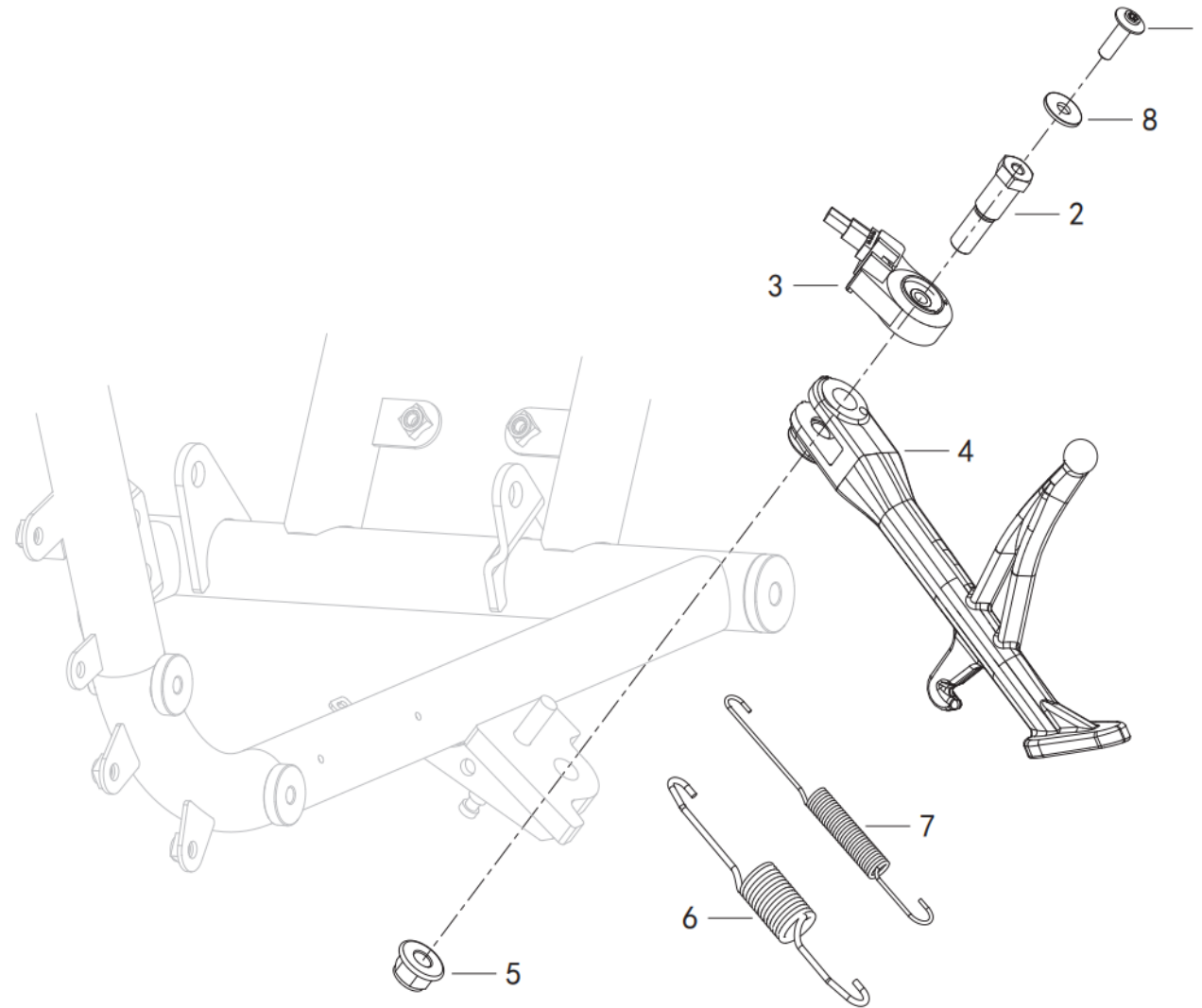
NO.	CODE	EN DESCRIPTION	QTY	REMARKS
F10-01	53001P060001	REAR SWING ARM INSTALLATION SHAFT	1	
F10-02	54016PC20000	REAR LEFT AXLE SLEEVE	1	
F10-03	08015P620J04	HEXAGONAL FLOWER CONCAVE HEX. FLANGE BOLT M10×1.25×40	6	
F10-04	60002PC20000	DRIVEN PULLEY	1	
F10-05	60310PC20000	BELT	1	
F10-06	60001PC2000Z	CHAIN HUB ASSEMBLY	1	
F10-07	B04821012552	SELF LOCKING NUT M10×1.25	6	
F10-08	60006P160000	CHAIN DRIVE SHAFT SLEEVE	1	
F10-09	54024PC20000	REAR WHEEL BUFFER BLOCK	5	
F10-10	95950P850000	TIRE PRESSURE SENSOR	1	
F10-11	54100PC2000Z	REAR WHEEL RIM ASSEMBLY	1	
F10-12	54990PC20000	VACUUM TIRE 180/65-16	1	
F10-13	55030PC20000	REAR BRAKE DISC ASSEMBLY	1	
F10-14	45036P520100	HYDRAULIC BRAKE DISC MOUNTING SCREW M8×24	4	
F10-15	54005P060000	REAR WHEEL BUSHING	1	
F10-16	55401PC20000	REAR HYDRAULIC BRAKE HANGING PLATE	1	
F10-17	55710P100000	REAR WHEEL SPEED SENSOR	1	
F10-18	08002P32001J	HEXAGON SOCKET HEAD CAP SCREW M6×12	1	
F10-19	08001P62000J	HEXAGON SOCKET HEAD CAP SCREW M8×20	2	
F10-20	08051P100100	SELF-LOCKING NUT	1	
F10-21	B12016030400	ROLLING BEARING 6304-2RS	2	
F10-22	54006P160000	REAR WHEEL INTERMEDIATE SHAFT SLEEVE	1	
F10-23	54300P160000	OIL SEAL	2	
F10-24	B12016020500	ROLLING BEARING 6205-2RS	2	

F11 FRONT FRAME ASSY.



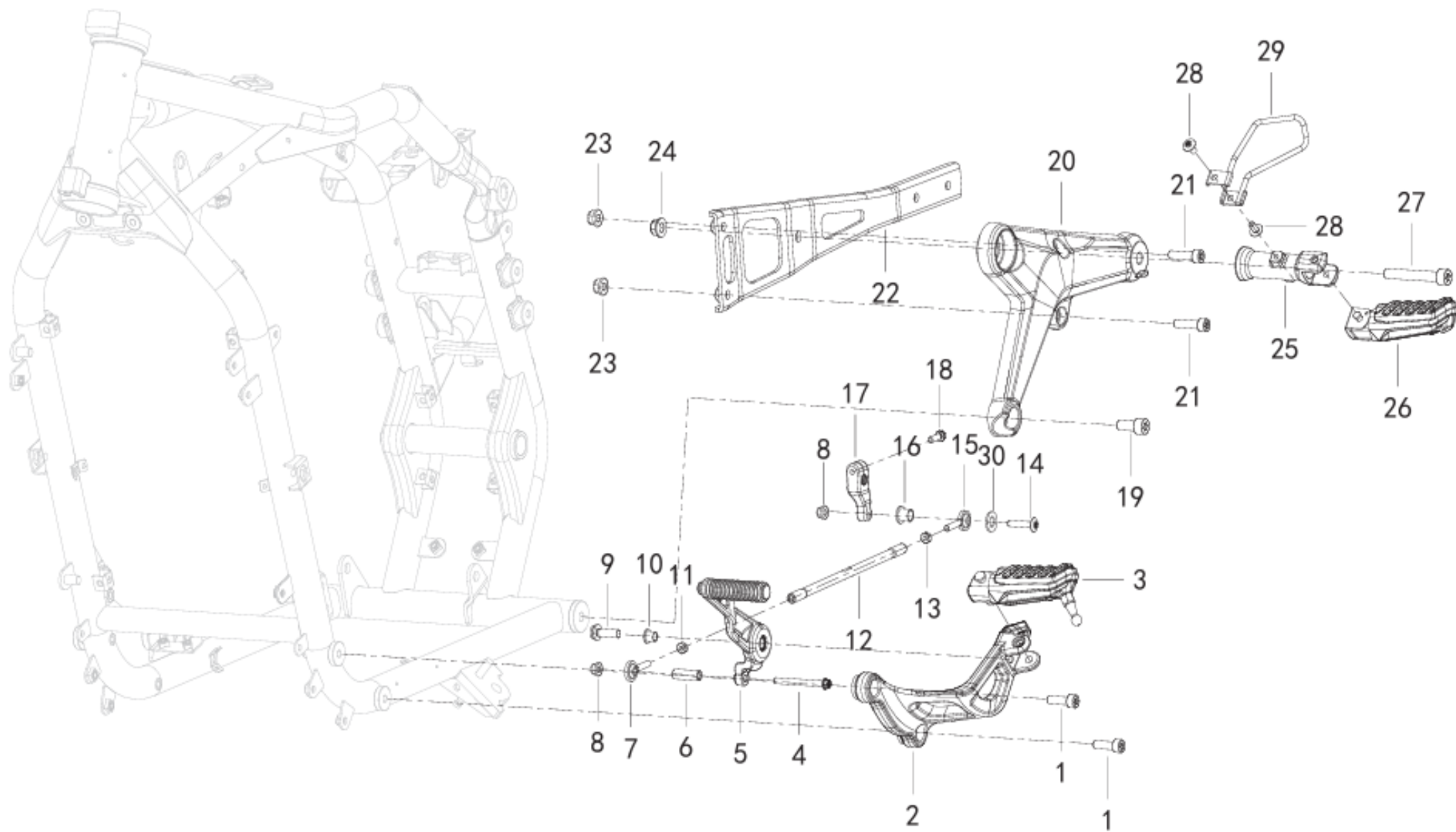
NO.	CODE	EN DESCRIPTION	QTY	REMARKS
F11-01	57100PC20000	FRAME WELDING COMPONENTS	1	
F11-02	57051PC20000	CARBON CANISTER MOUNTING PLATE	1	
F11-03	160306030010	HEXAGONAL TORX BOLT M6×12	2	
F11-04	160306030030	BOLT M6x20	1	
F11-05	B0407060005H	NUT M6	1	
F11-06	57007PC20000	LEFT FRONT ENGINE HANGING PLATE	1	
F11-07	57008PC20000	RIGHT FRONT ENGINE HANGING PLATE	1	
F11-08	08001P62000J	HEXAGON SOCKET HEAD CAP SCREW M8×20	4	
F11-09	B0226100306S	HEXAGON LOBULAR CYLINDRICAL HEAD SCREW M10×30	2	
F11-10	58303B590100	ENGINE FIXED SHAFT M10×1.25×176	2	
F11-11	B04821012552	SELF LOCKING NUT M10×ONE POINT TWO FIVE	1	
F11-13	B100432007P0	BLIND RIVETS 3.2×7	2	
F11-14	65616J040000	PROTECTIVE PLATE INSTALLATION RING	6	
F11-15	57017PC20000	LEFT REAR HANGING PLATE OF THE ENGINE	1	
F11-16	57018PC20000	RIGHT REAR HANGING PLATE OF THE ENGINE	1	
F11-17	08002P62000J	HEXAGON SOCKET HEAD CAP SCREW M8×16	4	
F11-18	65618J000000	PROTECTIVE PLATE RUBBER PAD	2	
F11-19	50007P600010	FUEL TANK BUFFER RUBBER	2	
F11-20	65805P250001	FUEL TANK MIDDLE GUARD CUSHION II	2	
F11-21	08010N350000	GROUNDING BOLT ASSEMBLY	2	
F11-22	50170PC20000	FUEL TANK REAR MOUNTING PLATE ASSEMBLY	1	
F11-23	08013P620002	HEXAGONAL FLOWER CONCAVE HEX. FLANGE BOLT M6×14	4	
F11-24	B0201060252S	CROSS RECESSED COUNTERSUNK HEAD SCREW M6×25	2	
F11-25	58900N290000	SEAT CUSHION CABLE ASSEMBLY	1	
F11-26	58306P160000	POWER BOLT SHEATH	1	
F11-27	57015P520000	RUBBER PLUG	2	

F12 SIDE STAND ASSY.



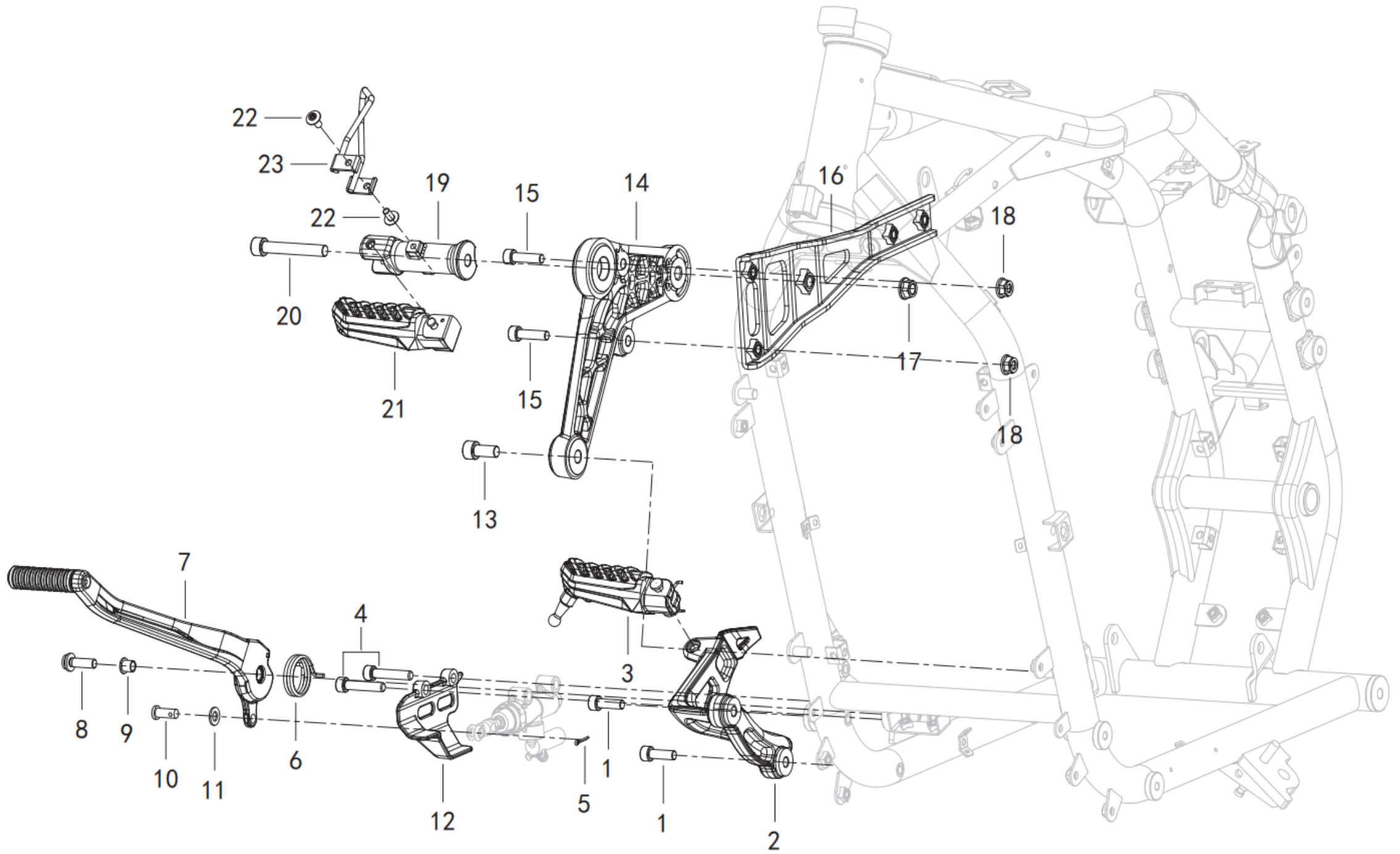
NO.	CODE	EN DESCRIPTION	QTY	REMARKS
F12-01	08002P620003	HEXAGON SOCKET TORX FLANGE SCREW M6×16	1	
F12-02	57005TA70001	SINGLE SUPPORT FIXING BOLT	1	
F12-03	91170TA70002	SINGLE SUPPORT FLAMEOUT SWITCH	1	
F12-04	58701PC20000	SIDE STAND	1	
F12-05	B0417101254H	SELF-LOCKING NUT M10×1.25	1	
F12-06	57003P160000	SINGLE SUPPORT OUTER SPRING/STEEL WIRE Φ 2.5	1	
F12-07	57004P160000	SINGLE STRUT INNER SPRING	1	
F12-08	B0702000060G	FLAT WASHER Φ 6	1	

F13 PEDALING ASSY.



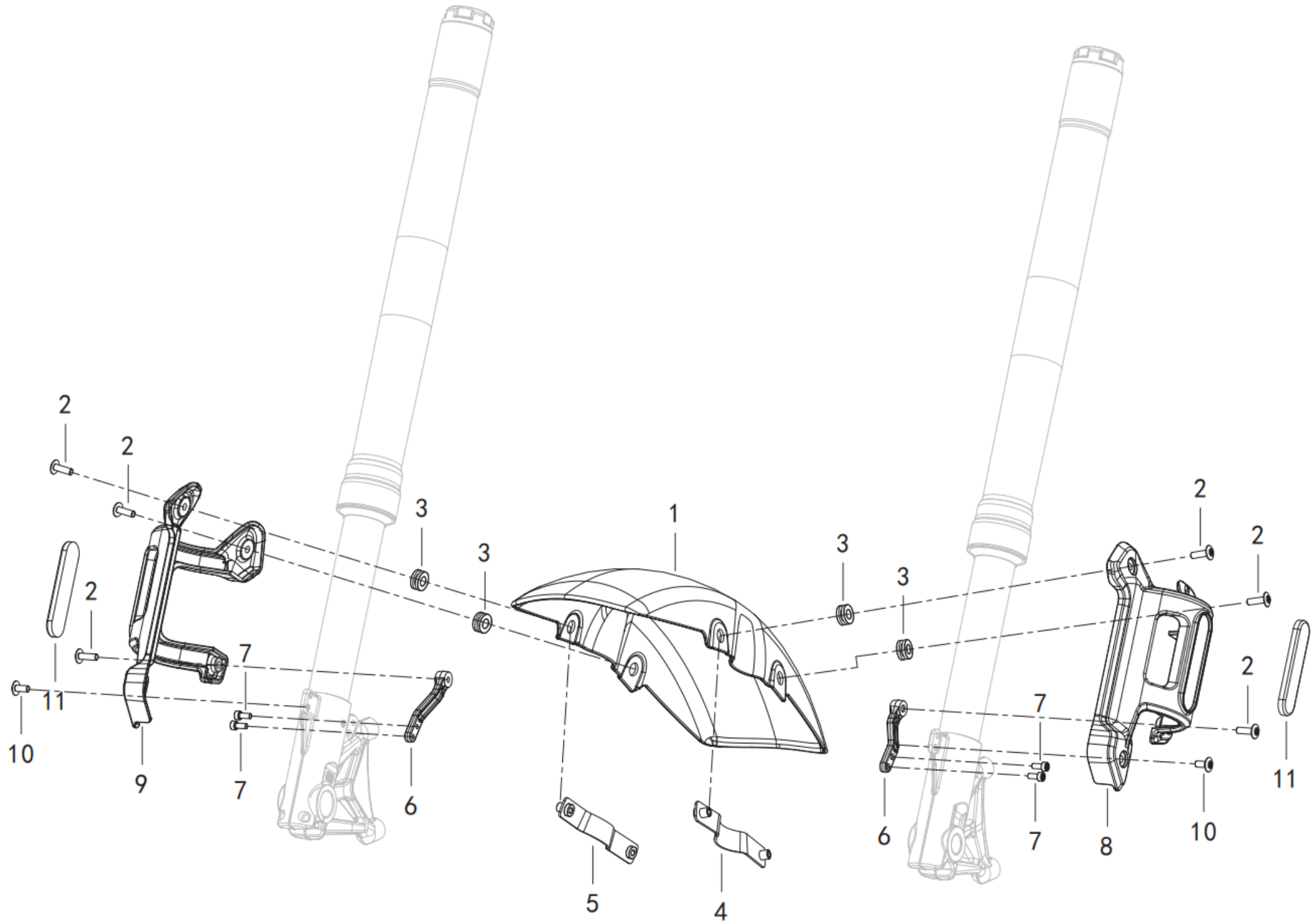
NO.	CODE	EN DESCRIPTION	QTY	REMARKS
F13-01	08001P32000J	HEXAGON SOCKET HEAD CAP SCREW M8×25	2	
F13-02	58226PC20000	LEFT FRONT PEDAL BRACKET	1	
F13-03	58220PC2000Z	LEFT FRONT PEDAL COMBINATION	1	
F13-04	160306030120	HEXAGONAL TORX BOLT M6×60	1	
F13-05	08380PC20000	SHIFT LEVER ASSEMBLY	1	
F13-06	50014J900100	RUBBER CUSHION LINING PIPE	1	
F13-07	08375S010000	SECTION HEAD	1	
F13-08	B0417060004H	SELF LOCKING NUT M6	2	
F13-09	65114N510000	THIN HEXAGONAL FLANGE SCREW M8×25	1	
F13-10	08386PAD0000	SHIFT LEVER BUSHING I	1	
F13-11	B04800600052	NUT M6-8-ZG ZINC	1	
F13-12	08371PC20000	SHIFT LEVER CONNECTING ROD	1	
F13-13	08051S040010	LEFT NUT M6	1	
F13-14	160306030080	HEXAGONAL TORX BOLT M6×35	1	
F13-15	40706S040000	M6 LEFT JOINT HEAD	1	
F13-16	40047B470100	BUSH	1	
F13-17	08383PAD0000	SHIFT LEVER ROCKER ARM	1	
F13-18	160306030030	BOLT M6x20	1	
F13-19	B0226100226S	HEXAGON LOBULAR CYLINDRICAL HEAD SCREW M10×22	1	
F13-20	58266PC20000	LEFT REAR PEDAL BRACKET	1	
F13-21	08002P56000J	HEXAGONAL FLOWER SHAPED CYLINDRICAL HEAD SCREW M8×30	2	
F13-22	58080PC20000	SILENCER MOUNTING SEAT	1	
F13-23	B0417080004H	SELF LOCKING NUT M8	2	
F13-24	B0417100004H	FULL METAL HEXAGONAL FLANGE LOCKING NUT M10	1	
F13-25	58461PC20000	REAR FOOT PEDAL INSTALLATION SEAT	1	
F13-26	58260PC2000Z	LEFT REAR FOOT PEDAL COMBINATION	1	
F13-27	B0226100656S	HEX. FLOWER SHAPED CYLINDRICAL HEAD SCREW M10×65	1	
F13-28	08002P620001	INTERNAL HEXAGONAL FLOWER SHAPED FLANGE SCREW M6×12	2	
F13-29	58430PC20000	LEFT REAR FOOT PEDAL ANTI SCALD BRACKET ASSEMBLY	1	
F13-30	B0703000060H	WASHER 6	1	

F14 PEDALING ASSY.



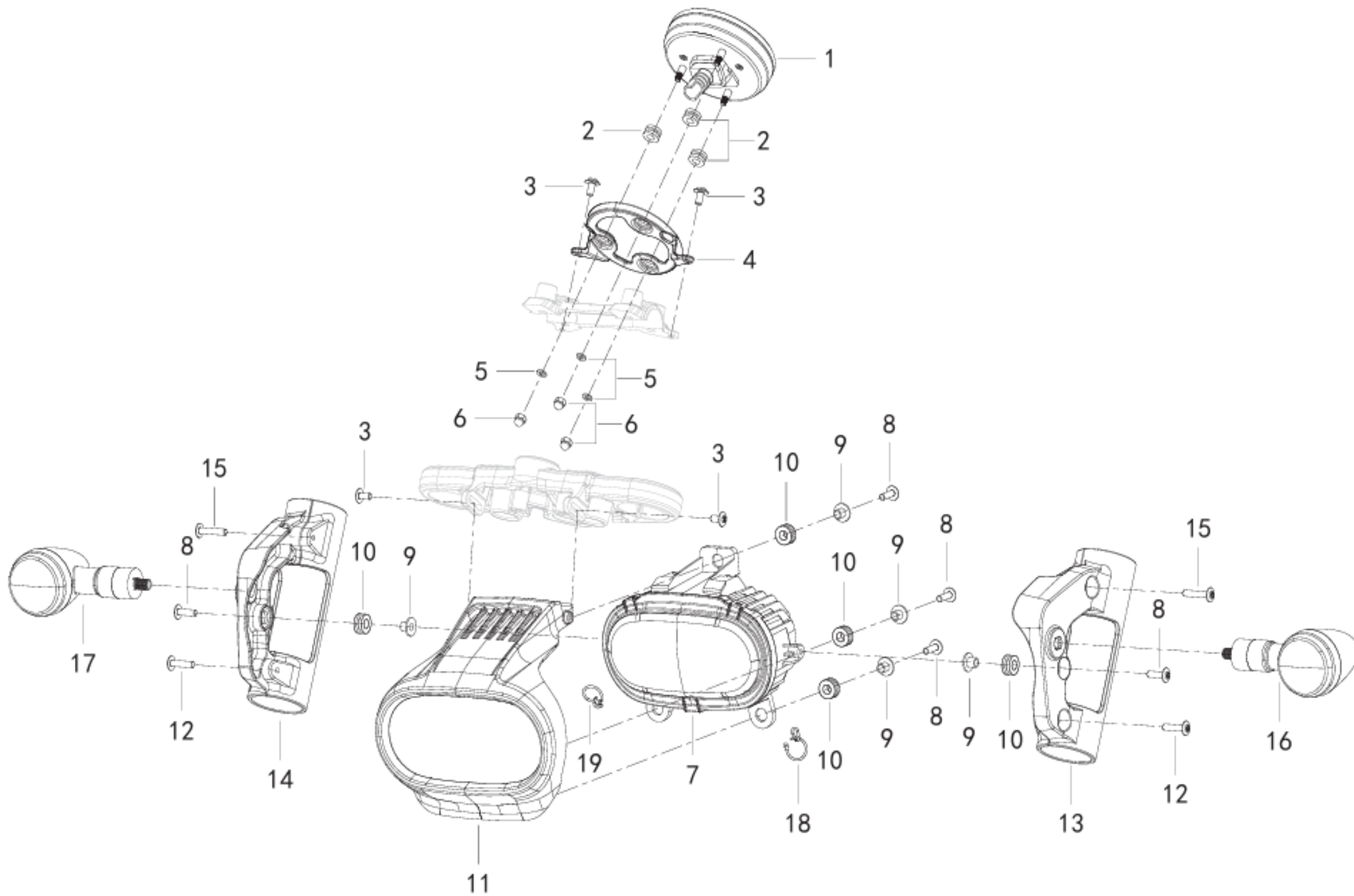
NO.	CODE	EN DESCRIPTION	QTY	REMARKS
F14-01	08001P32000J	HEXAGON SOCKET HEAD CAP SCREW M8×25	2	
F14-02	58246PC20000	RIGHT FRONT PEDAL BRACKET	1	
F14-03	58240PC2000Z	RIGHT FRONT PEDAL COMBINATION	1	
F14-04	B0226080406S	HEXAGON SOCKET HEAD CAP SCREW M8×40	2	
F14-05	B0900250241H	SPLIT PIN 2.5X24MM	1	
F14-06	40702P370000	BRAKE TORSION SPRING	1	
F14-07	40710PC20000	BRAKE PEDAL ASSEMBLY	1	
F14-08	65114N510000	THIN HEXAGONAL FLANGE SCREW M8×25	1	
F14-09	08386PAD0000	SHIFT LEVER BUSHING I	1	
F14-10	B090408020BH	PIN SHAFT 8×20	1	
F14-11	B0703000080H	WASHER 8	1	
F14-12	55421PC20000	REAR HYDRAULIC BRAKE PUMP PROTECTIVE PLATE	1	
F14-13	B0226100226S	HEXAGON LOBULAR CYLINDRICAL HEAD SCREW M10×22	1	
F14-14	58286PC20000	RIGHT REAR PEDAL BRACKET	1	
F14-15	08002P56000J	HEXAGONAL FLOWER SHAPED CYLINDRICAL HEAD SCREW M8×30	2	
F14-16	58080PC20000	SILENCER MOUNTING SEAT	1	
F14-17	B0417100004H	FULL METAL HEXAGONAL FLANGE LOCKING NUT M10	1	
F14-18	B0417080004H	SELF LOCKING NUT M8	2	
F14-19	58461PC20000	REAR FOOT PEDAL INSTALLATION SEAT	1	
F14-20	B0226100656S	HEX.FLOWER SHAPED CYLINDRICAL HEAD SCREW M10×65	1	
F14-21	58280PC2000Z	RIGHT REAR FOOT PEDAL COMBINATION	1	
F14-22	08002P620001	INTERNAL HEXAGONAL FLOWER SHAPED FLANGE SCREW M6×12	2	
F14-23	58440PC20000	RIGHT REAR FOOT PEDAL ANTI SCALD BRACKET ASSEMBLY	1	

F15 FRONT FENDER ASSY.



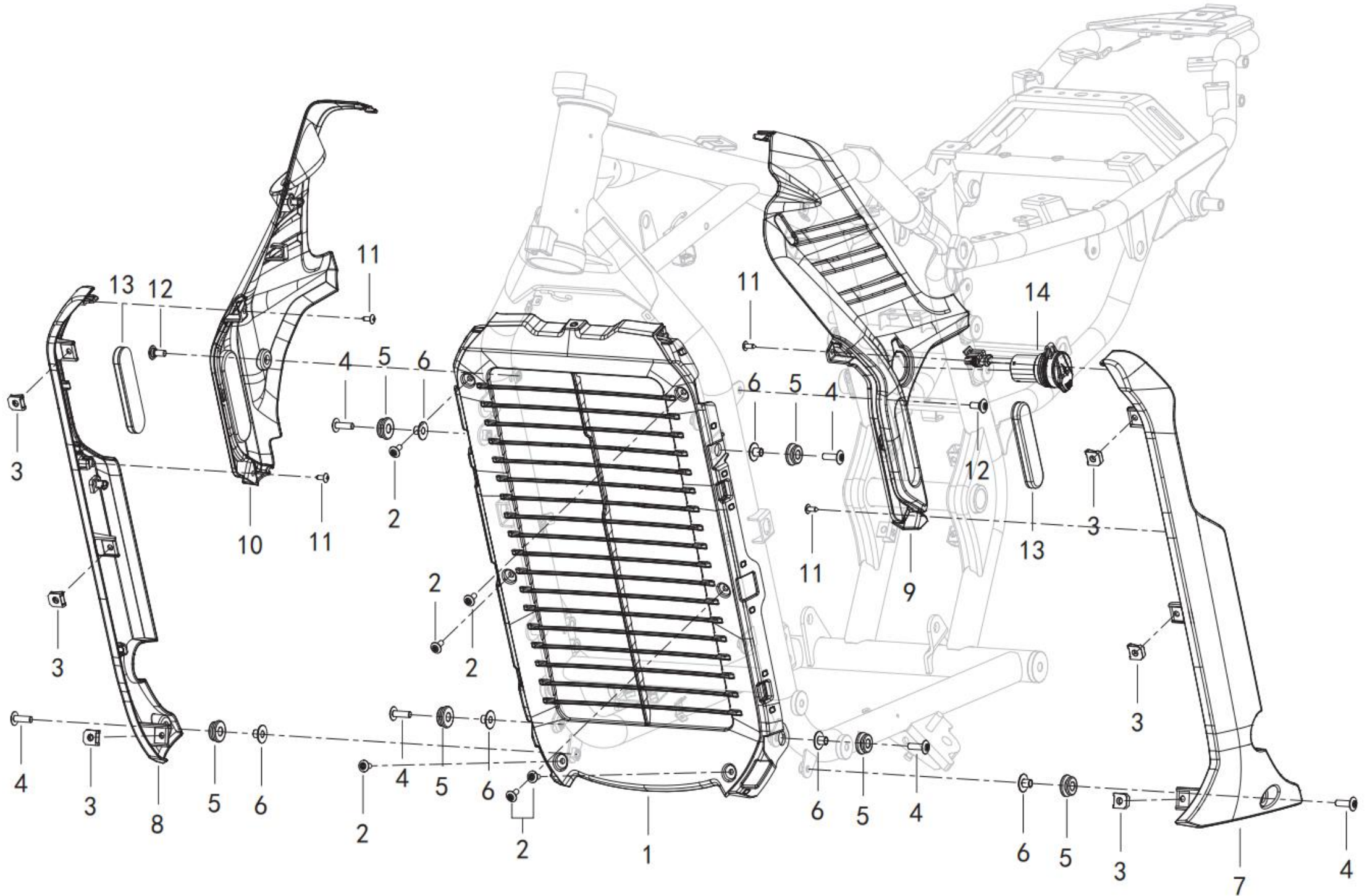
NO.	CODE	EN DESCRIPTION	QTY	REMARKS
F15-01	65101PC2BL00	FRONT FENDER, BLACK BL	1	
F15-01	65101PC2NJ00	FRONT FENDER, MATT BLACK NJ	1	
F15-01	65101PC2S600	FRONT FENDER, SILVER S6	1	
F15-02	08002P620003	HEXAGON LOBULAR FLANGE SCREW M6×20	6	
F15-03	65616L430000	PROTECTIVE PLATE RUBBER PAD	4	
F15-04	65140PBD0000	FRONT FENDER LEFT MOUNTING SEAT	1	
F15-05	65150PBD0000	FRONT FENDER RIGHT MOUNTING SEAT	1	
F15-06	65151P370100	FRONT MUD BOARD BRACKET	2	
F15-07	B0226050126S	HEXAGON LOBULAR CYLINDRICAL HEAD SCREW M5×12	4	
F15-08	65141P53MM00	LEFT MOUNTING SEAT OF FRONT MUD PLATE	1	
F15-09	65151P53MM00	FRONT MUD BOARD RIGHT MOUNTING BASE	1	
F15-10	08002P620002	HEXAGON LOBULAR FLANGE SCREW M6×14	2	
F15-11	05501PC20000	SHOCK ABSORBER LOWER SEAT CRYSTAL SOFT LABEL	2	

F16 LIGHT & SPEEDOMETER ASSY.



NO.	CODE	EN DESCRIPTION	QTY	REMARKS
F16-01	70000PC20003	INSTRUMENT ASSEMBLY	1	
F16-02	70168P540000	INSTRUMENT BUFFER RUBBER	3	
F16-03	08002P620001	HEXAGON LOBULAR FLANGE SCREW M6×12	4	
F16-04	70078PC20000	INSTRUMENT MOUNTING BASE	1	
F16-05	B0703000050H	WASHER 5	3	
F16-06	B04220500044	CAP NUT M5	3	
F16-07	80000PBD0000	HEADLAMP	1	
F16-08	08002P620003	HEXAGON LOBULAR FLANGE SCREW M6×20	5	
F16-09	27097505001X	BUSHING	5	
F16-10	65616L430000	PROTECTIVE PLATE RUBBER PAD	5	
F16-11	65501PC20000	FRONT FLOW GUIDE COVER	1	
F16-12	08002P620004	HEXAGON LOBULAR FLANGE SCREW M6×25	2	
F16-13	65244P530000	HEADLIGHT LEFT DECORATIVE PANEL	1	
F16-14	65245P530000	HEADLIGHT RIGHT DECORATIVE PANEL	1	
F16-15	08002P620005	HEXAGON LOBULAR FLANGE SCREW M6×30	2	
F16-16	81100PC20100	FRONT LEFT TURN SIGNAL	1	
F16-17	81300PC20100	FRONT RIGHT TURN SIGNAL	1	
F16-18	57013P520000	CLUTCH WIRE CLAMP	1	
F16-19	57012P520000	THROTTLE WIRE CLAMP	1	

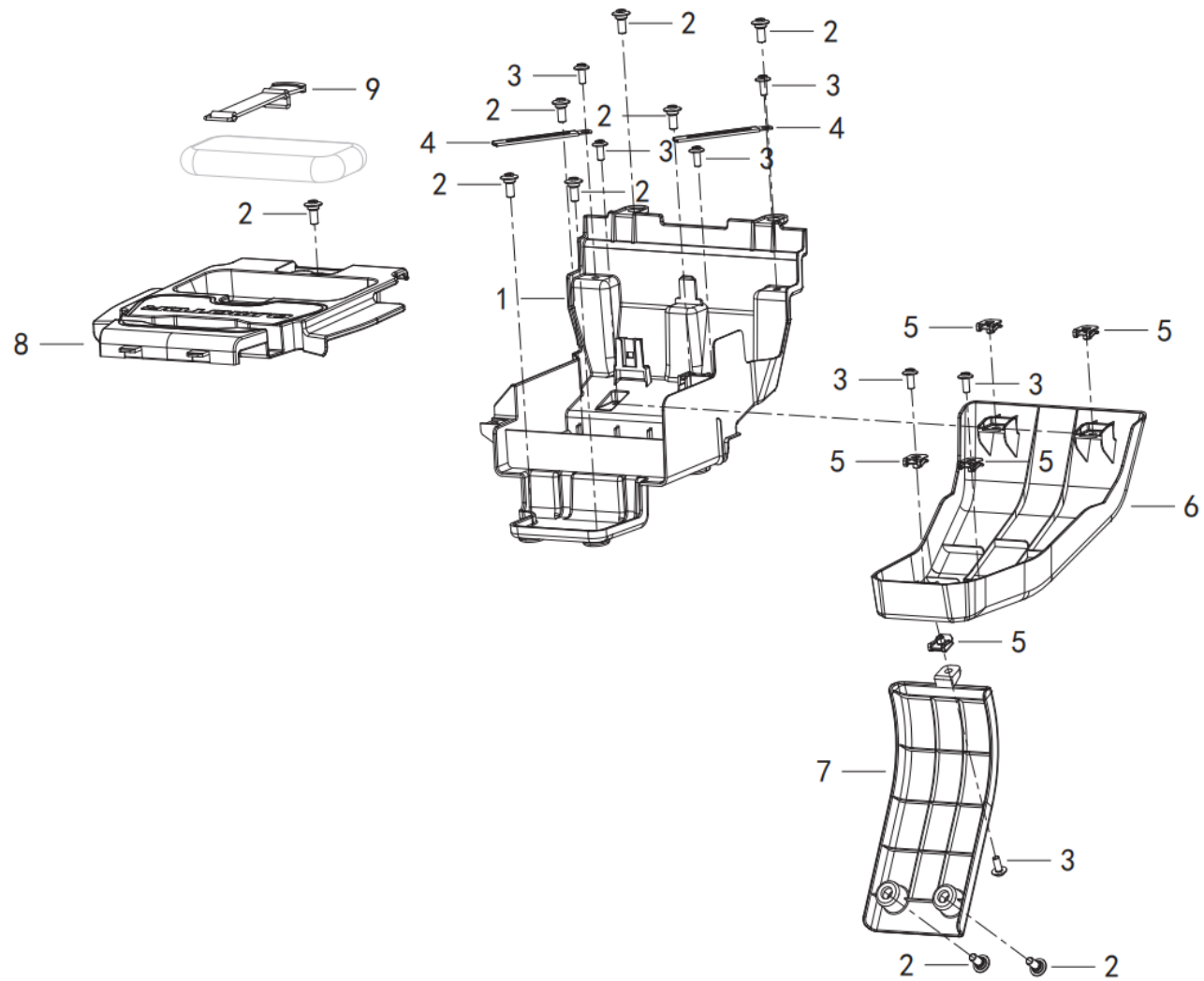
F17 FRAME DECORATIVE PANEL ASSY.



NO.	CODE	EN DESCRIPTION	QTY	REMARKS
F17-01	65683PC20001	FRONT DECORATIVE PANEL I OF WATER TANK	1	
F17-02	08001P620000	HEXAGON LOBULAR FLANGE SCREW M5×12	6	
F17-03	65624P160000	SNAP NUT M5	6	
F17-04	08002P620003	HEXAGON LOBULAR FLANGE SCREW M6×20	6	
F17-05	49023S010000	RUBBER LINING OF AIR FILTER	6	
F17-06	65627J410100	SHIELD SPACER	6	
F17-07	65681PC20000	LEFT DECORATIVE PANEL OF WATER TANK	1	
F17-08	65682PC20000	RIGHT DECORATIVE PANEL OF WATER TANK	1	
F17-09	65695PC20000	LEFT DECORATIVE PANEL OF THE FRAME	1	
F17-10	65696PC20000	RIGHT FRAME DECORATIVE PANEL	1	
F17-11	B0507420130G	CROSS RECESSED SPHERICAL HEAD TAPPING SCREW ST4.2×13	4	
F17-12	08003P620000	HEXAGON SOCKET FLANGE STEP SCREW M6×15	2	
F17-13	86300P090000	FRONT REFLECTOR	2	
F17-14	92950L790000	CAR USB CHARGER	1	

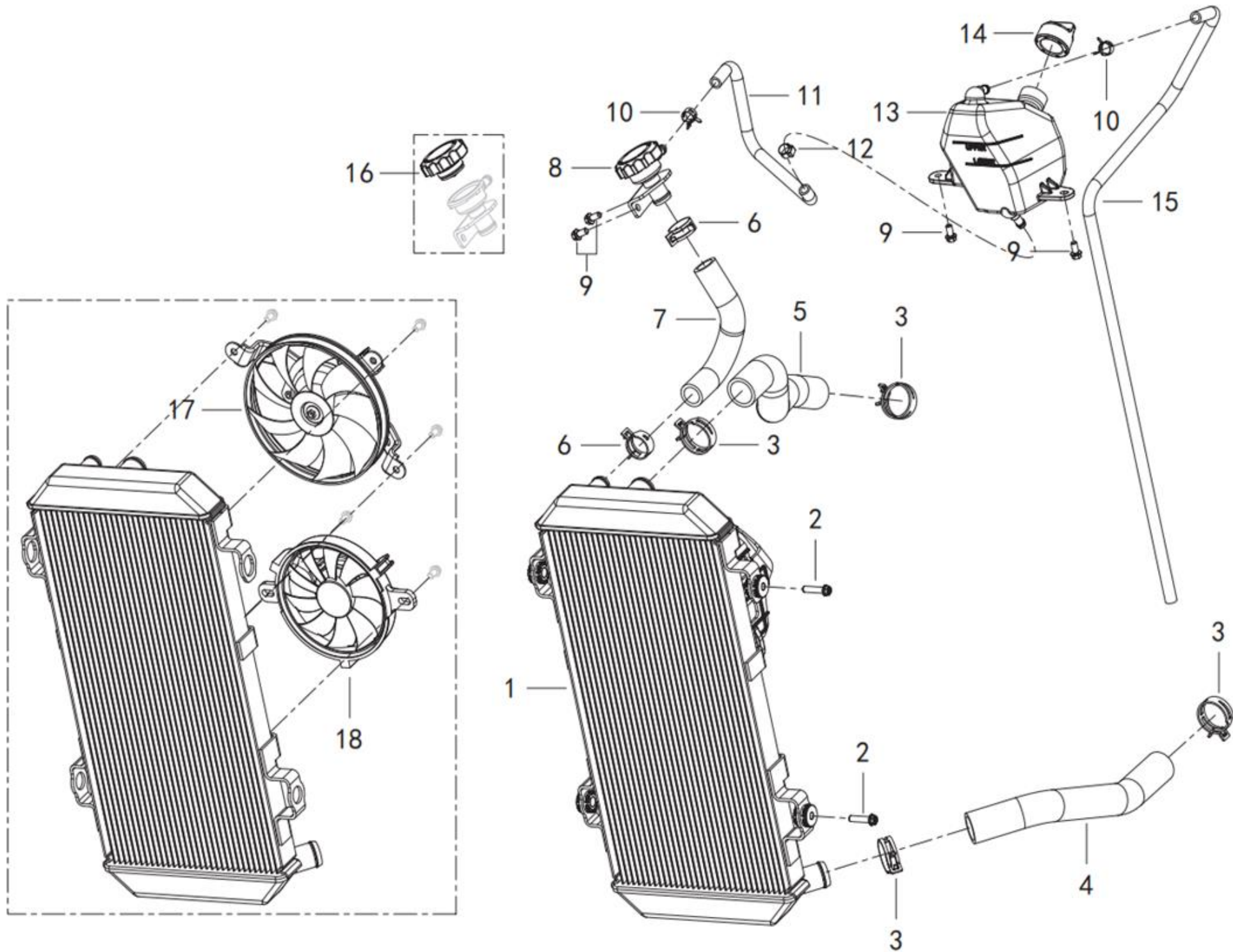
NO.	CODE	EN DESCRIPTION	QTY	REMARKS
F18-01	65601PC2NJ00	LEFT FENDER	1	
F18-02	08001P620000	HEXAGON LOBULAR FLANGE SCREW M5×12	8	
F18-03	65624P160000	SNAP NUT M5	10	
F18-04	65901PC2009Z	LEFT TAIL COVER, BLACK BL, WITH STICKER	1	
F18-04	65901PC2025Z	LEFT TAIL COVER, SILVER S6, WITH STICKER	1	
F18-04	65901PC2026Z	LEFT TAIL COVER, MATT BLACK NJ, WITH STICKER	1	
F18-05	08002P620003	HEXAGON SCREW WITH FLOWER FLANGE SURFACE M6X20	6	
F18-06	65627J410100	GUARD PLATE SPACER SLEEVE	6	
F18-07	49023S010000	RUBBER BUSHING FOR AIR FILTER	6	
F18-08	65731PC20000	REAR FENDER FRONT	1	
F18-09	08001P620001	HEXAGONAL SCREW WITH FLOWER FLANGE M5×16	2	
F18-10	08003P620000	HEXAGON STEP SCREW WITH FLOWER FLANGE SURFACE M6×15	1	
F18-11	65625J560100	CARD NUT M6	1	
F18-12	65624PA20000	CARD NUT M5	2	
F18-13	65715PC20000	REAR SEAT CUSHION TRIM PLATE	1	
F18-14	65902PC2009Z	RIGHT TAIL COVER , BLACK BL, WITH STICKER	1	
F18-14	65902PC2025Z	RIGHT TAIL COVER, SILVER S6, WITH STICKER	1	
F18-14	65902PC2026Z	RIGHT TAIL COVER , MATT BLACK NJ, WITH STICKER	1	
F18-15	65602PC2NJ00	RIGHT FENDER	1	
F18-16	05511PC20001	3D HARD LABEL FOR PROTECTIVE BOARD	1	
F18-17	05513PC20001	3D HARD LABEL ON THE RIGHT FENDER	1	
F18-18	65636PC20000	LEFT FENDER INSULATION FOIL PAPER	1	
F18-19	65637PC20000	RIGHT FENDER INSULATION FOIL PAPER	1	
F18-20	51100PC20000	FRONT SEAT CUSHION ASSEMBLY	1	
F18-21	58752P250000	BATTERY SPONGE PAD	3	
F18-22	51200PC20000	REAR SEAT CUSHION	1	
F18-23	05572PC20100	TAIL COVER STICKER - WHITE FONT	2	FOR BLACK AND MATT BALCK BIKE
F18-23	05572PC20000	TAIL COVER STICKER - BLACK FONT	2	FOR SILVER BIKE

F19 TAIL COVER ASSY.



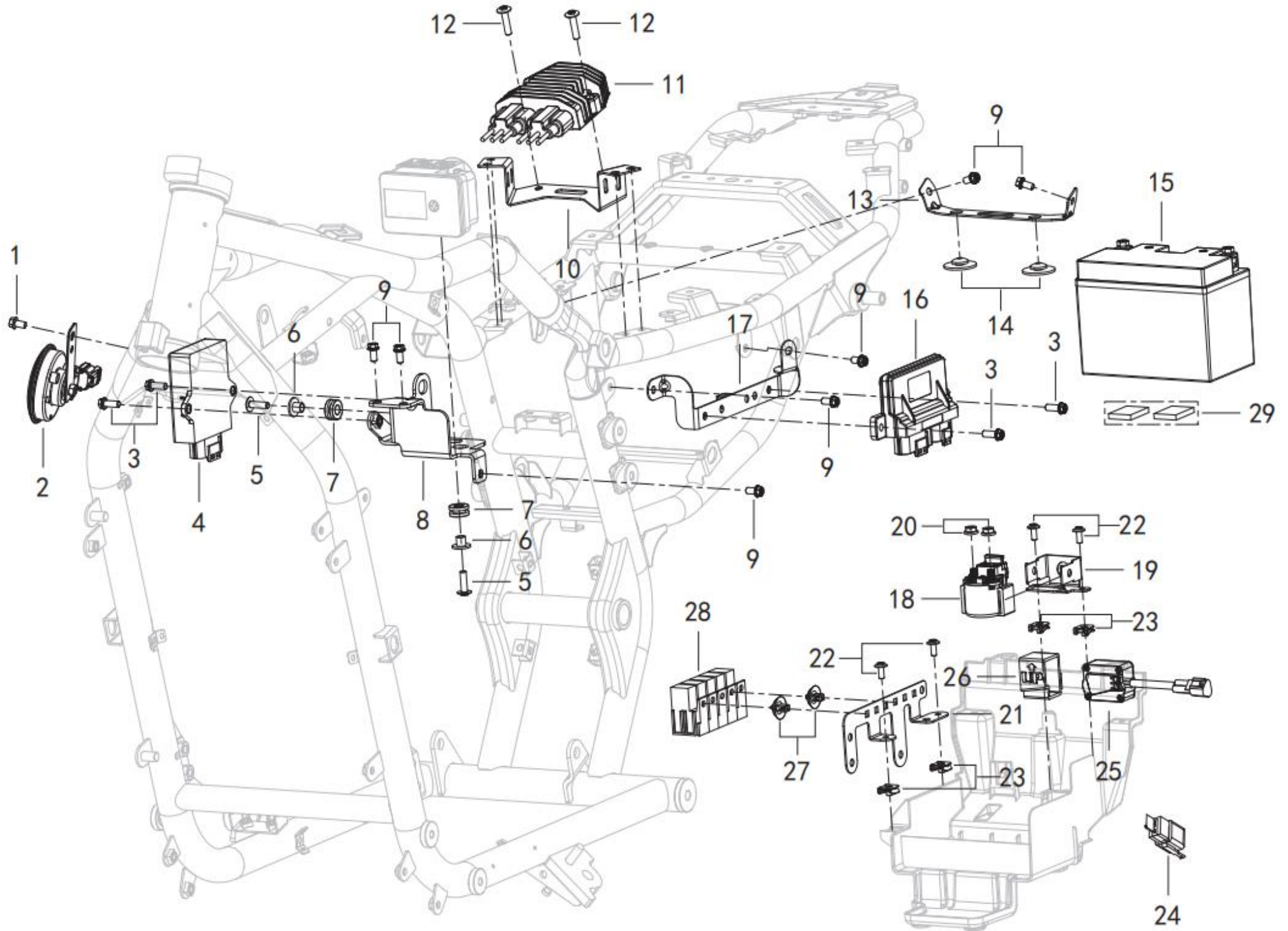
NO.	CODE	EN DESCRIPTION	QTY	REMARKS
F19-01	65417PC20000	BATTERY BOX	1	
F19-02	08003P620000	HEXAGON SOCKET FLANGE STEP SCREW M6×15	9	
F19-03	08001P620000	HEXAGON LOBULAR FLANGE SCREW M5×12	7	
F19-04	58430J000000	WIRE CLAMP ASSEMBLY	2	
F19-05	65624P160000	SNAP NUT M5	5	
F19-06	65713PC20000	REAR INNER FENDER	1	
F19-07	65714PC20000	FRAME REAR GUARD	1	
F19-08	65416PC20000	BATTERY BOX COVER	1	
F19-09	02120J690000	TOOL KIT STRAP	1	

F20 COOLING SYSTEM ASSY.



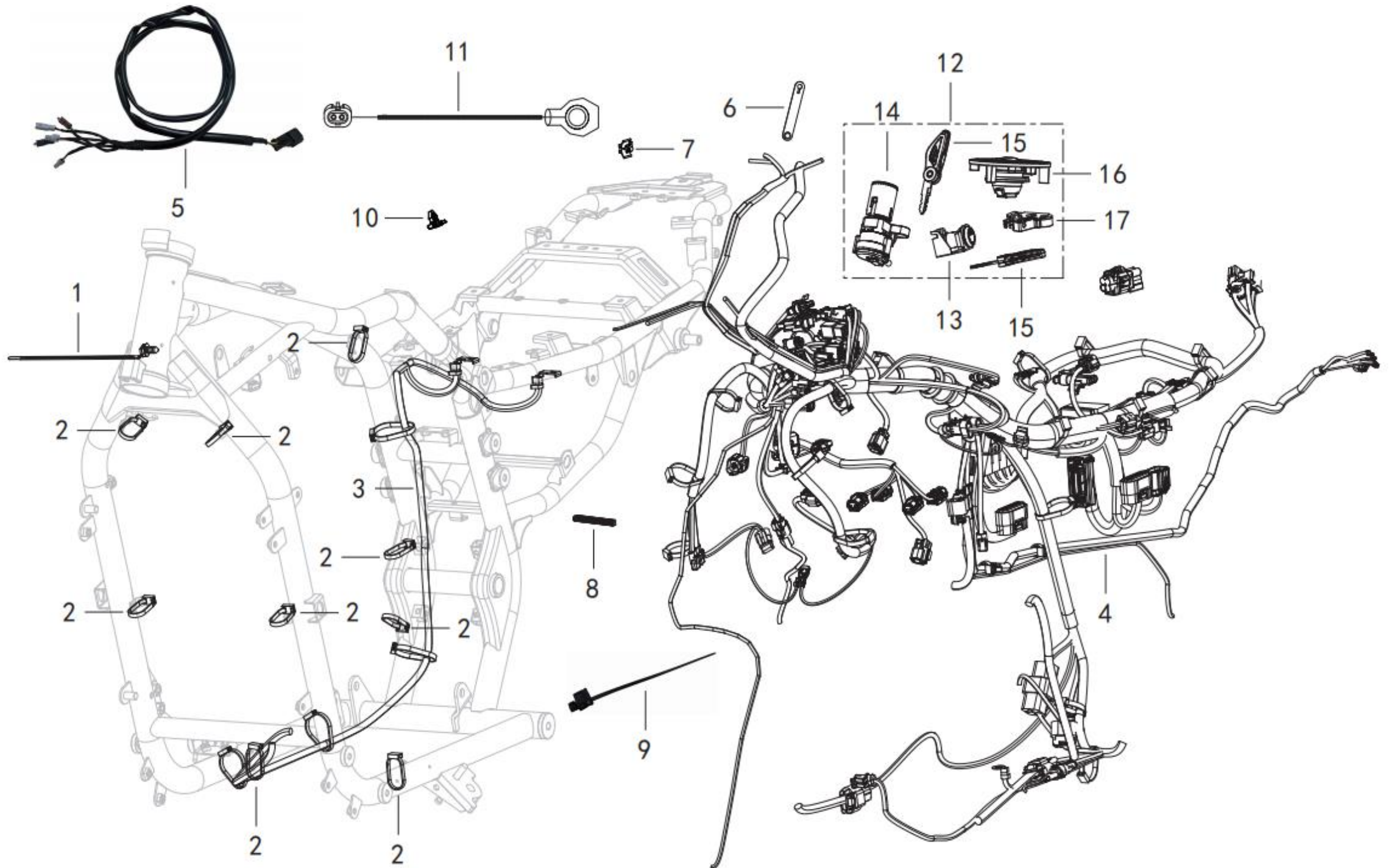
NO.	CODE	EN DESCRIPTION	QTY	REMARKS
F20-01	279126900000	WATER TANK COMPONENTS	1	
F20-02	160306030050	HEXAGONAL TORX BOLT M6×25	2	
F20-03	06103P160100	WATER PIPE PLATE CLAMP Φ 32	4	
F20-04	06211PC20000	ENGINE WATER INLET PIPE	1	
F20-05	06250PC20000	ENGINE OUTLET PIPE ASSEMBLY	1	
F20-06	06103N120100	WATER PIPE PLATE CLAMP Φ 25	2	
F20-07	06107PC20000	CONNECTING PIPE BETWEEN WATER INLET AND WATER TANK	1	
F20-08	279186590010	WATER INLET SEAT COMPONENT	1	
F20-09	160306030010	HEXAGONAL TORX BOLT M6×12	4	
F20-10	49016L800000	PLATE CLAMP Φ 11	2	
F20-11	06101PC20000	EXPANSION KETTLE INLET PIPE	1	
F20-12	50306J690000	CLAMP 13.3-706R	1	
F20-13	06111PC20000	EXPANSION KETTLE	1	
F20-14	06113P950000	EXPANSION KETTLE LID	1	
F20-15	55065E070000-1	TUBING 11x7 (0.074kg)	1	
F20-16	270265050000	WATER INLET COVER SUB ASSEMBLY	1	
F20-17	279026350001	FAN ASSEMBLY 2	1	
F20-18	270144410000	FAN	1	

F21 ELECTRICAL EQUIPMENT ASSY.



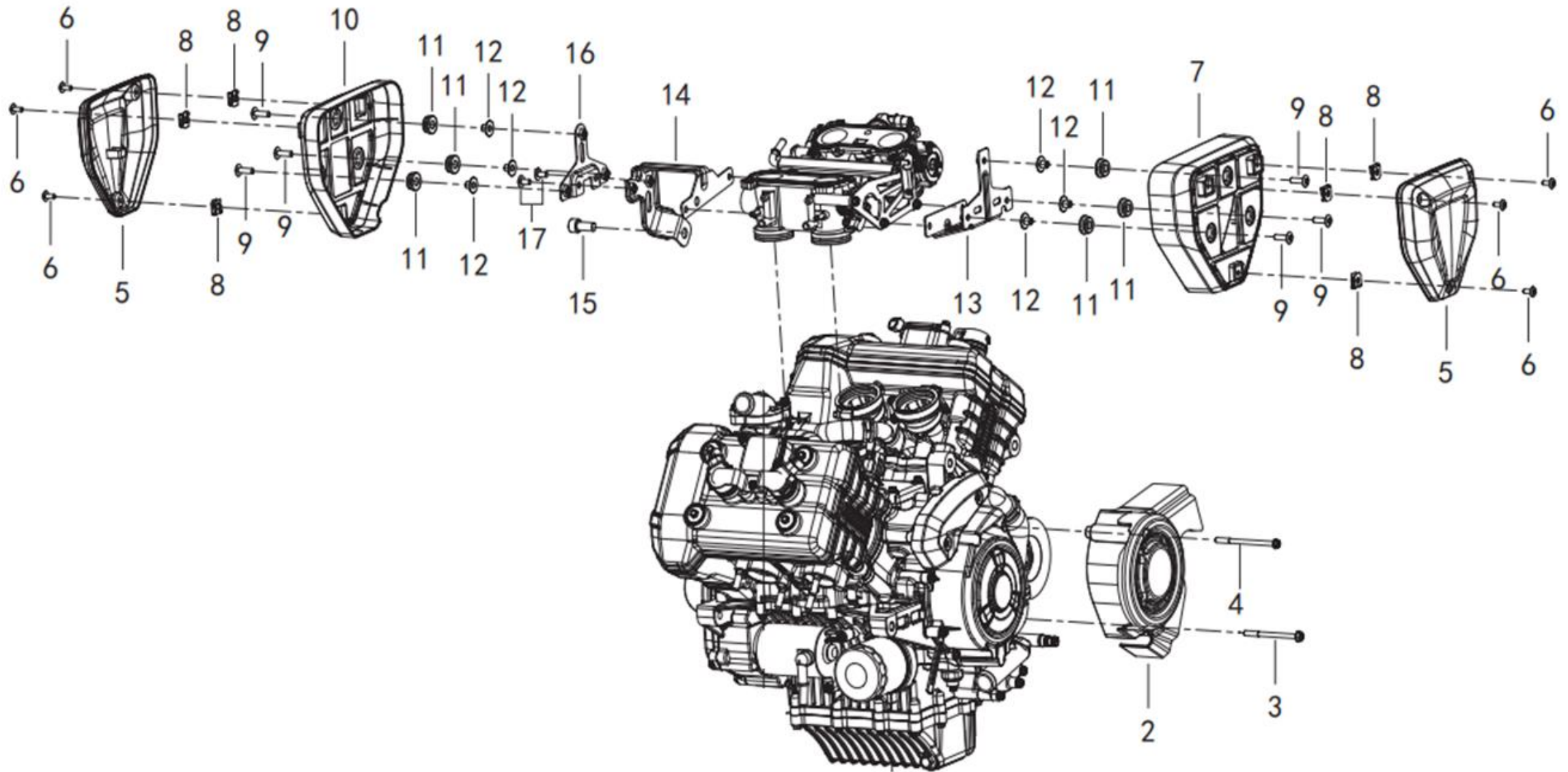
NO.	CODE	EN DESCRIPTION	QTY	REMARKS
F21-01	08013P620000	HEXAGONAL FLOWER CONCAVE HEX. FLANGE BOLT M6×10	1	
F21-02	95100P160002	HORN	1	
F21-03	160306030020	HEXAGON LOBULAR FLANGE SCREW M6×14	4	
F21-04	96J00PBY0000	CENTRAL CONTROLLER	1	
F21-05	08002P620009	HEXAGON LOBULAR FLANGE SCREW M6×16	2	
F21-06	27097505001X	BUSHING	2	
F21-07	65616L430000	PROTECTIVE PLATE RUBBER PAD	2	
F21-08	57040PC20000	ABS BRACKET WELDING COMPONENT	1	
F21-09	160306030010	HEXAGONAL TORX BOLT M6×12	7	
F21-10	57590PC20000	RECTIFIER MOUNTING PLATE ASSEMBLY	1	
F21-11	299066570000	RECTIFIER	1	
F21-12	08002P620004	HEXAGON LOBULAR FLANGE SCREW M6×25	2	
F21-13	58821P800000	BATTERY PRESSURE PLATE	1	
F21-14	58821J040001	RUBBER RETAINER	2	
F21-15	AC-TTZ14S (HW)	BATTERY VRLA 12V11.2 AH/10HR	1	
F21-16	96C00PC20001	ECU	1	
F21-17	57460PC20000	ECU MOUNTING PLATE ASSEMBLY	1	
F21-18	94100P540000	START RELAY	1	
F21-19	57081PC20000	STARTING RELAY INSTALLATION BOARD	1	
F21-20	B04810600052	NUT M6×1	2	
F21-21	57361PC20000	SMALL RELAY MOUNTING PLATE	1	
F21-22	08001P620000	HEXAGON LOBULAR FLANGE SCREW M5×12	4	
F21-23	65624P160000	SNAP NUT M5	4	
F21-24	92059P060000	INTELLECTUAL CONTORLLER CONNECTER	1	
F21-25	91210N300000	ROLL OVER SENSOR	1	
F21-26	98901S010000	SENSOR RUBBER	1	
F21-27	96030N420000	DOUBLE END BUCKLE	2	
F21-28	92039S010000	RELAY	5	
F21-29	58752J00000A	BATTERY SPONGE PAD	10	

F22 ELECTRICAL EQUIPMENT ASSY.



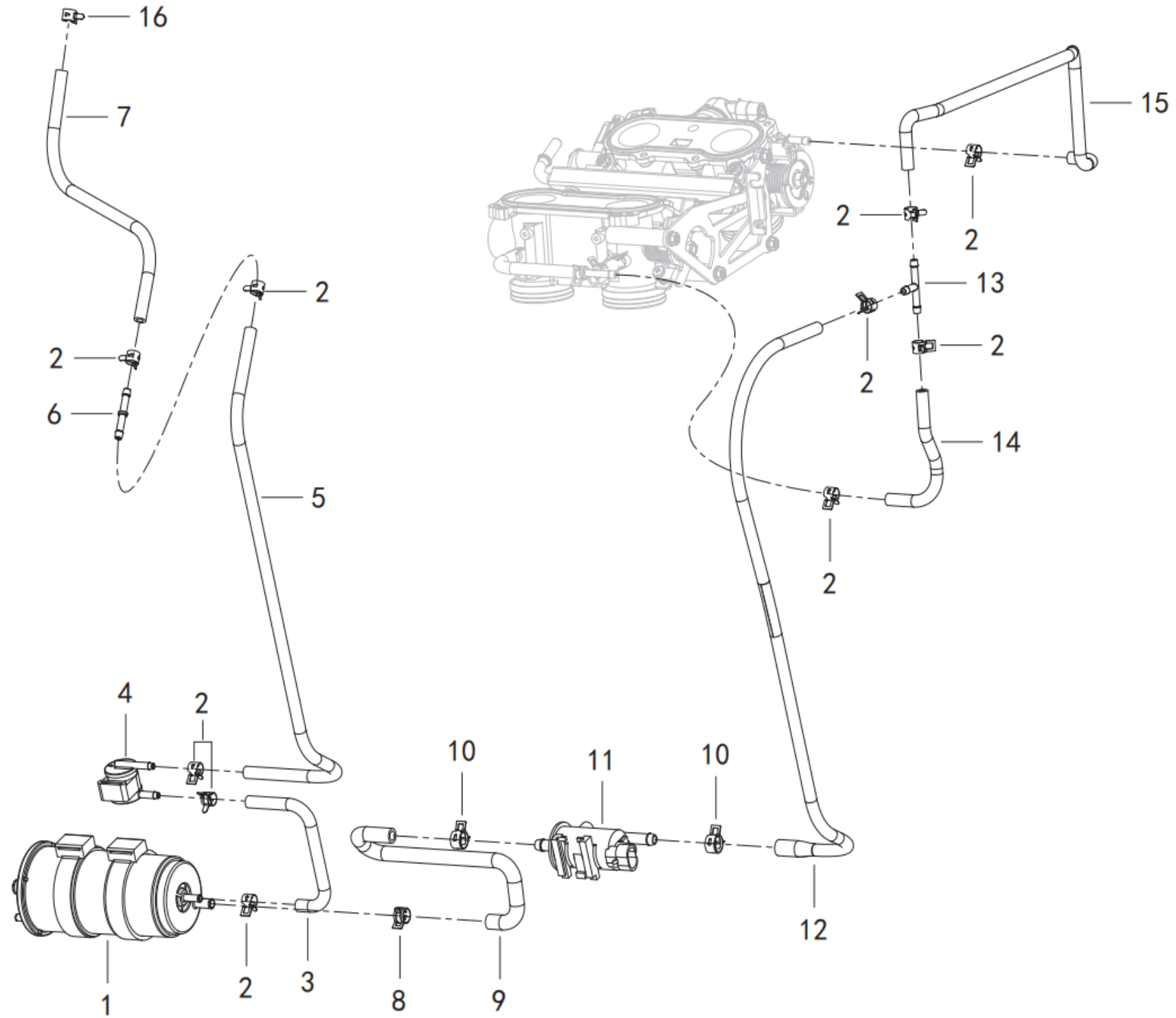
NO.	CODE	EN DESCRIPTION	QTY	REMARKS
F22-01	96001P360000	THREAD TIE	2	
F22-02	96003P360000	CABLE TIES	26	
F22-03	92500PC20000	GROUNDING WIRE	1	
F22-04	92000PC20003	MAIN CABLE ASSEMBLY	1	
F22-05	92680PC20000	TAIL LIGHT ADAPTER CABLE	1	
F22-06	49371T620000	SHUTOFF VALVE FLEXIBLE CLAMP	2	
F22-07	96031N350000	SNAP FASTENER 1.5 SERIES	1	
F22-08	65508P290000	EDGING STRIP	1	
F22-09	96031P600000	SHEET METAL BUCKLE	2	
F22-10	92928P290000	OXYGEN SENSOR CONNECTOR CLIP	4	
F22-11	92640PC20001	OIL PRESSURE ADAPTER LINE	1	
F22-12	88000PC20000	LOCK SET	1	
F22-13	88800P290000	SEAT CUSHION LOCK	1	
F22-14	88100P160000	POWER LOCK	1	
F22-15	88900P160000	KEY	2	
F22-16	88400P250000	FUEL TANK LOCK	1	
F22-17	58800P250000	SEAT CUSHION LOCK SEAT	1	

F23 ENGINE ATTACHMENT ASSY.



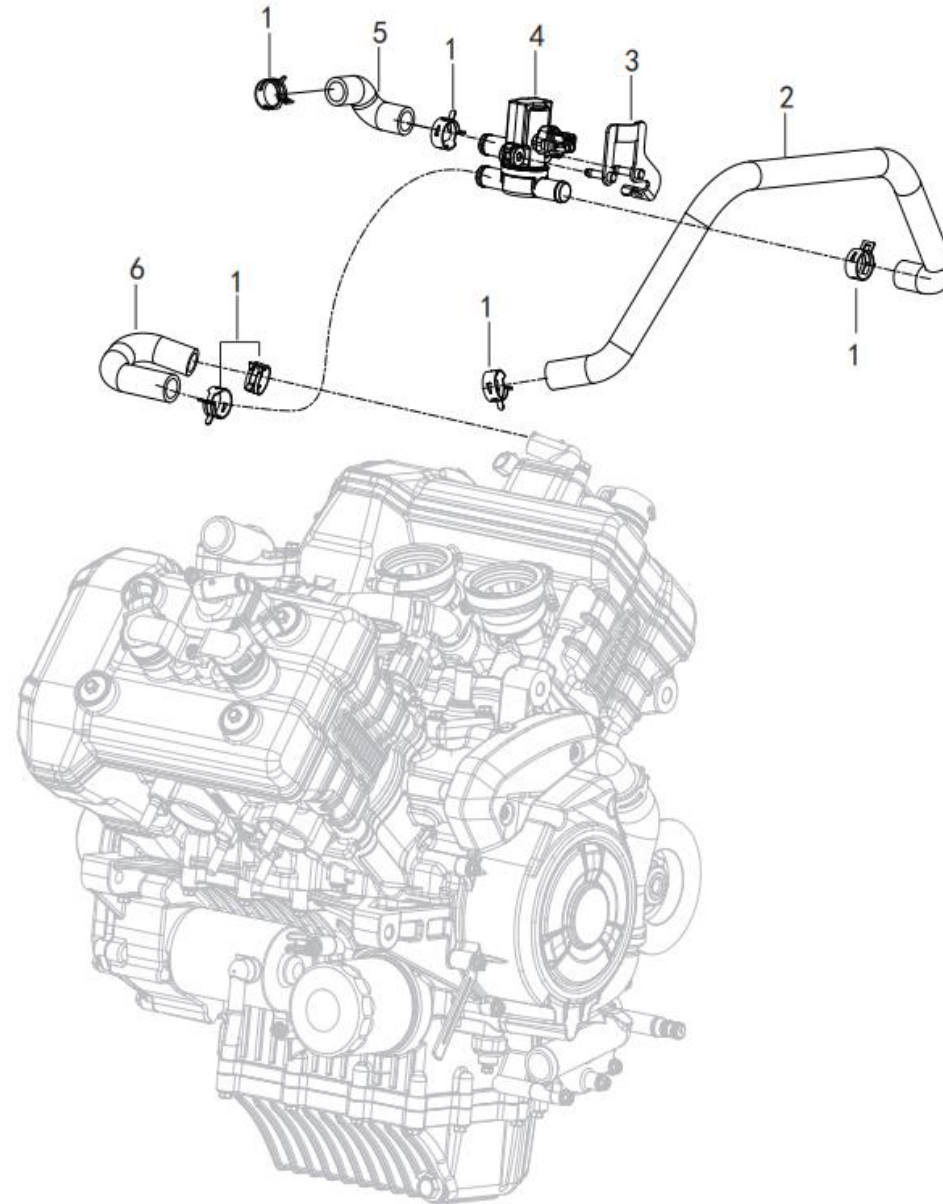
NO.	CODE	EN DESCRIPTION	QTY	REMARKS
F23-02	16962690BM00	SPROCKET COVER	1	
F23-03	160306030210	HEXAGONAL TORX BOLT M6×76	1	
F23-04	160306030140	HEXAGONAL TORX BOLT M6×85	1	
F23-05	65691PC20100	ENGINE TRIM PANEL	2	
F23-06	08001P620100	HEXAGON LOBULAR FLANGE SCREW M5×12	6	
F23-07	65693PC20000	LEFT ENGINE TRIM PANEL INNER PANEL	1	
F23-08	65624P160000	SNAP NUT M5	6	
F23-09	08002P620003	HEXAGON LOBULAR FLANGE SCREW M6×20	6	
F23-10	65694PC20000	INNER LINING PANEL OF RIGHT ENGINE TRIM PANEL	1	
F23-11	49023S010000	RUBBER LINING OF AIR FILTER	6	
F23-12	65627J410100	SHIELD SPACER	6	
F23-13	57070PC20000	LEFT ENGINE TRIM PANEL MOUNTING PLATE ASSEMBLY	1	
F23-14	57080PC20000	RIGHT ENGINE TRIM PANEL MOUNTING PLATE ASSEMBLY	1	
F23-15	B0226100226S	HEXAGON LOBULAR CYLINDRICAL HEAD SCREW M10×22	1	
F23-16	57090PC20000	ENGINE RIGHT DECORATIVE PANEL MOUNTING PLATE COMP. I	1	
F23-17	08002P620001	HEXAGON LOBULAR FLANGE SCREW M6×12	2	

F24 CARBON CANISTER ASSY.



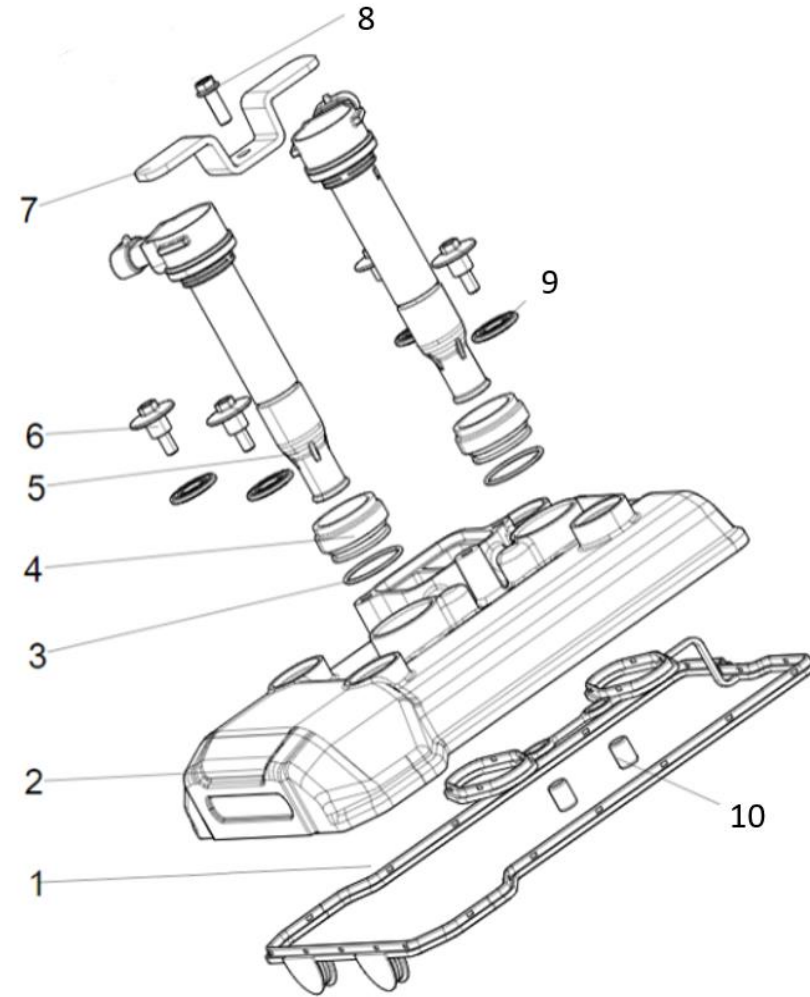
NO.	CODE	EN DESCRIPTION	QTY	REMARKS
F24-01	49912K670000	CARBON CANISTER COMBINATION	1	
F24-02	50306T450300	PLATE CLAMP Φ 8	10	
F24-03	49921P250000	CONNECTING PIPE BETWEEN ONE-WAY VALVE AND CARBON CANISTER	1	
F24-04	49930G410000	CHECK VALVE ASSEMBLY	1	
F24-05	55065J000001	OIL PIPE 4.5×8.5	1	
F24-06	50008K670000	TWO WAY PIPE	1	
F24-07	55065J000001	OIL PIPE 4.5×8.5	1	
F24-08	50307J140302	PLATE CLAMP Φ 10	1	
F24-09	49922P250000	CARBON CANISTER AND SOLENOID VALVE CONNECTING PIPE	1	
F24-10	49016L800000	PLATE CLAMP Φ 11	2	
F24-11	49710N070000	CARBON CANISTER SOLENOID VALVE	1	
F24-12	49903PC20000	CARBON CANISTER SOLENOID VALVE AND THREE-WAY PIPE CONNECTION PIPE	1	
F24-13	50008B420000	TEE PIPE	1	
F24-14	49904PC20000	TEE AND TEE CONNECTION PIPE I	1	
F24-15	49905PC20000	TEE AND TEE CONNECTION PIPE II	1	
F24-16	49016B350300	PLATE CLAMP Φ 8.5×8×0.6	1	

F25 AIR REFILL VALVE



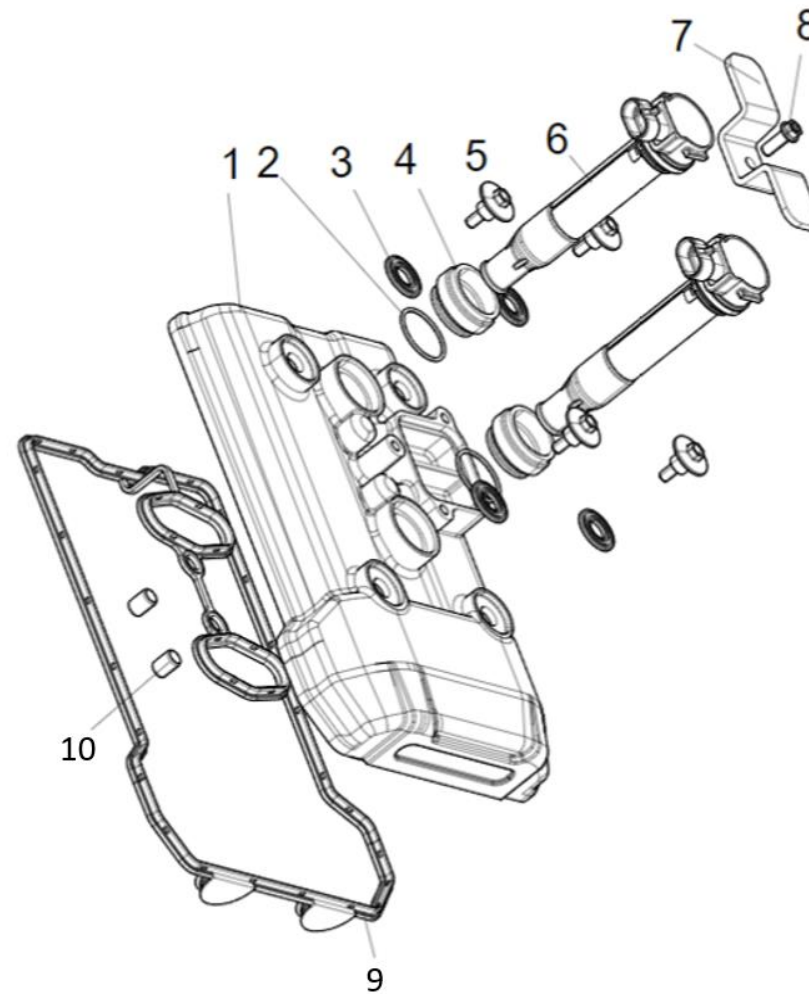
NO.	CODE	EN DESCRIPTION	QTY	REMARKS
F25-01	49805B570200	PLATE CLAMP $\Phi 18.5 \times 10 \times 1$	6	
F25-02	49807PC20000	ELECTRIC CONTROL VALVE & CYLINDER HEAD CONNECTION PIPE I	1	
F25-03	59450PC20000	ELECTRIC CONTROL VALVE MOUNTING BRACKET ASSEMBLY	1	
F25-04	49760P830000	ELECTRICALLY CONTROLLED AIR REFILL VALVE	1	
F25-05	49809PC20000	ELECTRIC CONTROL VALVE AND AIR FILTER CONNECTING PIPE	1	
F25-06	49808PC20000	ELECTRIC CONTROL VALVE & CYLINDER HEAD CONNECTION PIPE II	1	

E01 CYLINDER HEAD



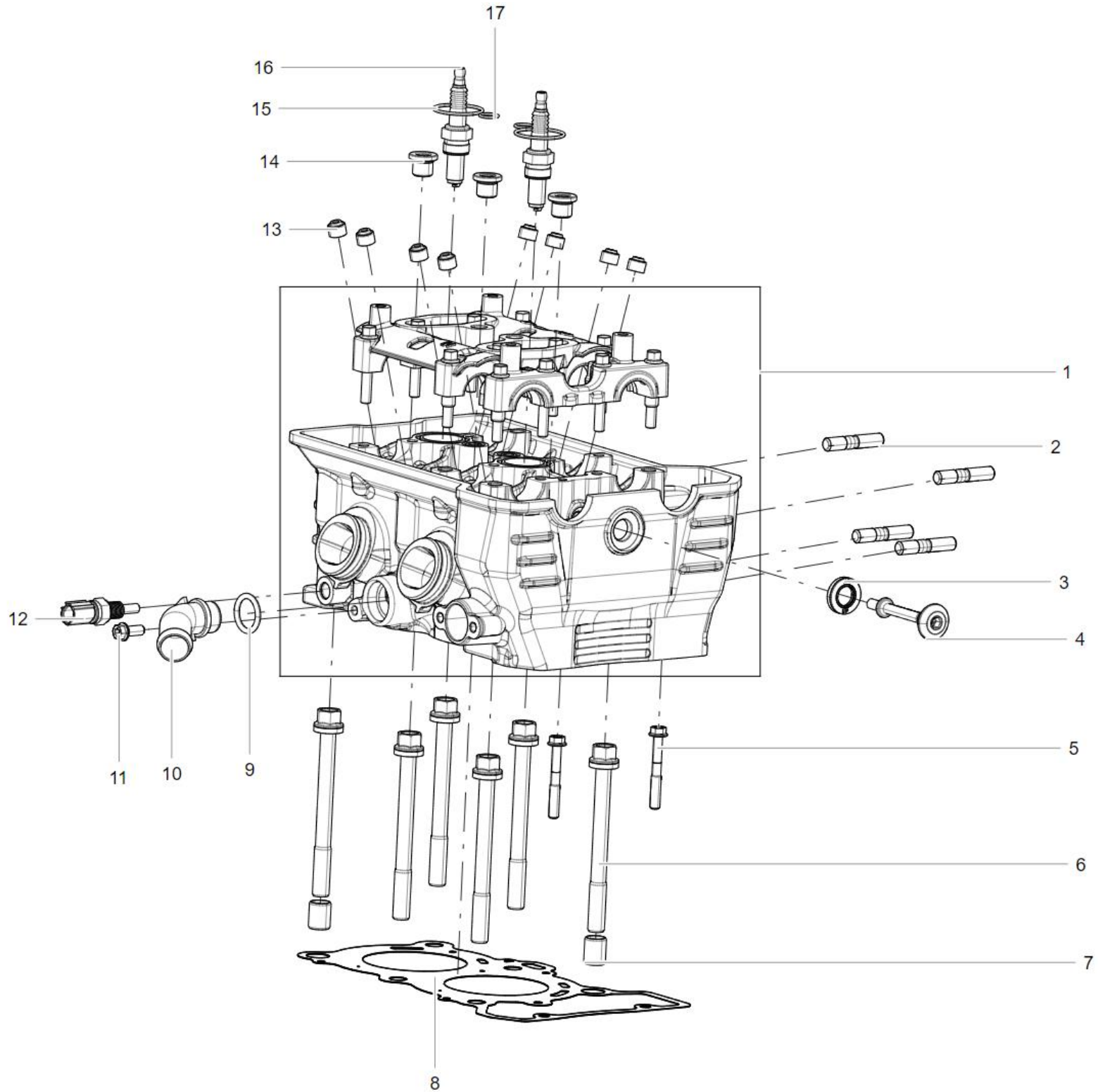
NO.	CODE	EN DESCRIPTION	QTY	REMARKS
E01-01	109226900000	FRONT CYLINDER HEAD COVER GASKET ASSEMBLY	1	
E01-02	10921690MM01	FRONT CYLINDER HEAD COVER	1	
E01-03	B190102650B0	O-RING 26.5×1.8	2	
E01-04	100286030000	SET BUSHING	2	
E01-05	96200P250000	IGNITION COIL	2	
E01-06	109506900000	CYLINDER HEAD COVER BOLT	4	
E01-07	109286900000	HIGH PRESSURE PACK POSITIONING CLIP	1	
E01-08	160306030020	BOLT M6×16	1	
E01-09	109236890000	CYLINDER HEAD COVER BOLT GASKET	4	
E01-10	150112070000	LOCATING PIN	2	

E02 CYLINDER HEAD



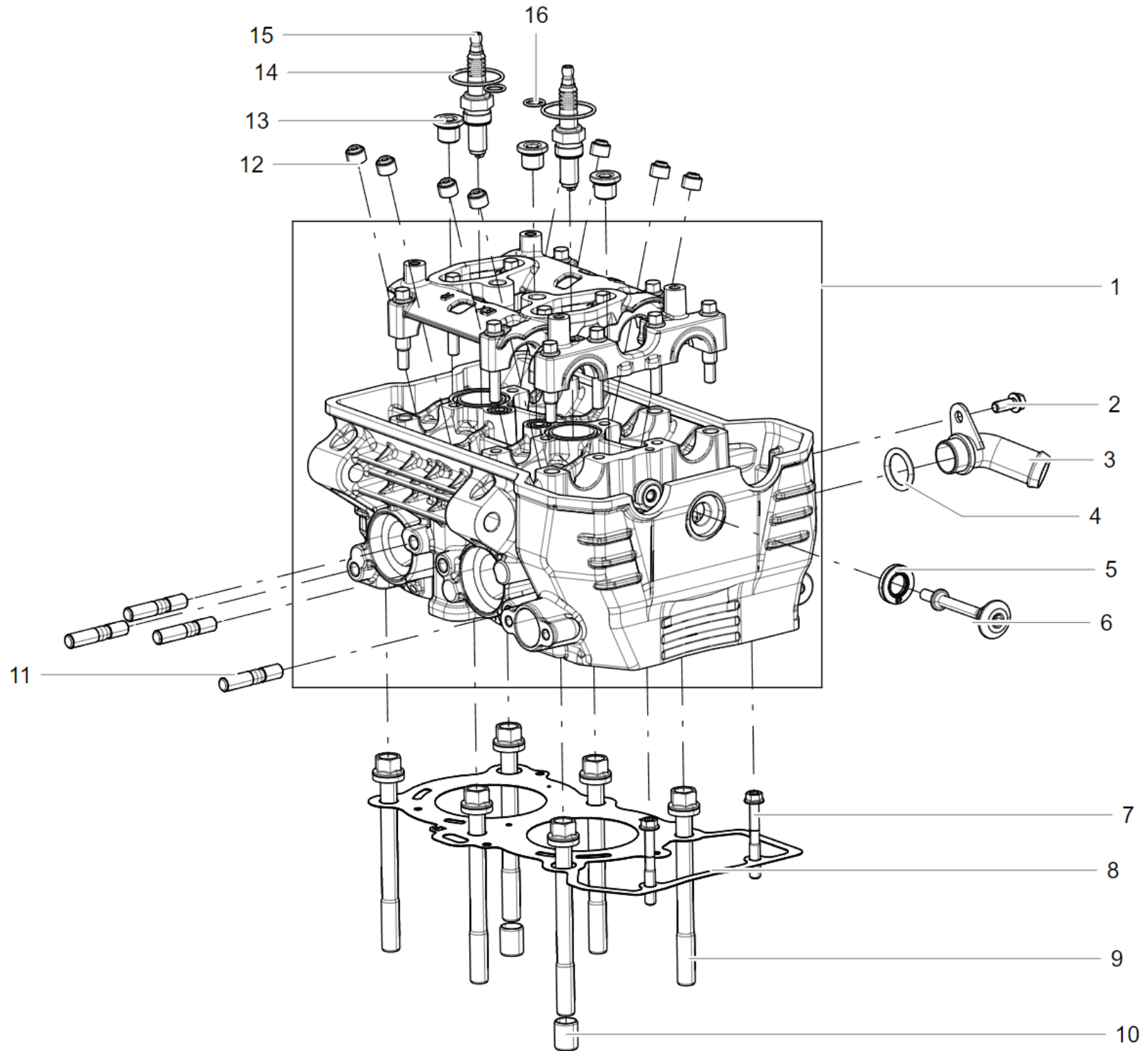
NO.	CODE	EN DESCRIPTION	QTY	REMARKS
E02-01	10921690MM02	REAR CYLINDER HEAD COVER	1	
E02-02	B190102650B0	O-RING 26.5×1.8	2	
E02-03	109236890000	CYLINDER HEAD COVER BOLT GASKET	4	
E02-04	100286030000	SET BUSHING	2	
E02-05	109506900000	CYLINDER HEAD COVER BOLT	4	
E02-06	96200P250000	IGNITION COIL	2	
E02-07	109286900000	HIGH PRESSURE PACK POSITIONING CLIP	1	
E02-08	160306030020	BOLT M6×16	1	
E02-09	109226900010	FRONT CYLINDER HEAD COVER GASKET ASSEMBLY	1	
E02-10	150112070000	LOCATING PIN	2	

E03 CLYINDER COVER ASSY



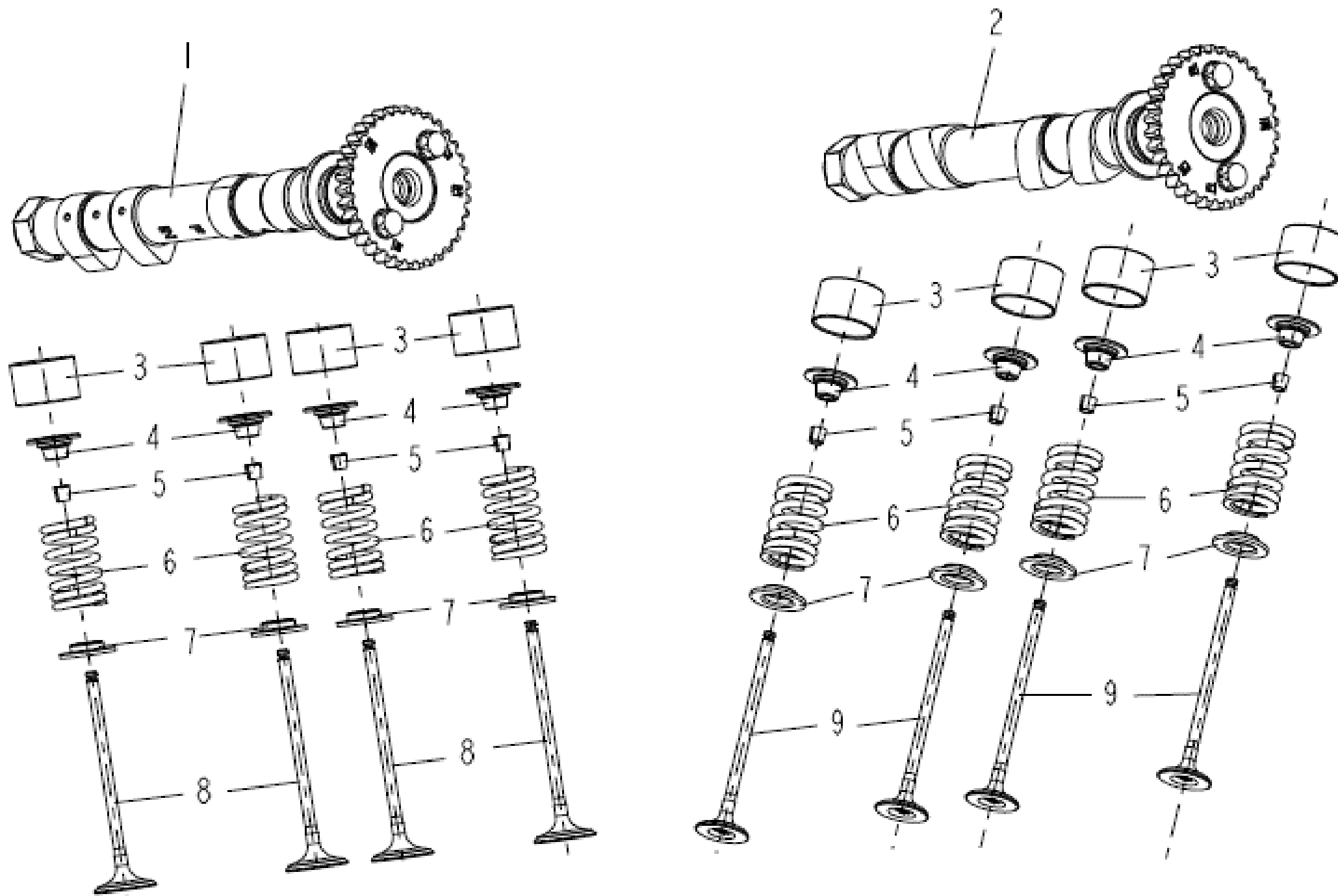
NO.	CODE	EN DESCRIPTION	QTY	REMARKS
E03-01	10905690NB01	CYLINDER HEAD MACHINING COMPONENTS	1	
E03-02	10004609001X	SHORT STUD	4	
E03-03	109026520000	GASKET ASSEMBLY	1	
E03-04	109336900000	BOLT M6	1	
E03-05	160306030100	HEXAGON HEXAGON SOCKET STUD	2	
E03-06	100236030000	CYLINDER HEAD BOLT ASSEMBLY	6	
E03-07	100255150000	LOCATING PIN	2	
E03-08	109076900000	FRONT CYLINDER HEAD GASKET	1	
E03-09	109226570000	O-RING SEAL	1	
E03-10	109326900000	PIPE JOINT	1	
E03-11	160306030180	HEXAGON INTERNAL PLUM BOLTS M6×14	1	
E03-12	270014590000	WATER TEMPERATURE SENSOR	1	
E03-13	120126030000	VALVE OIL SEAL	8	
E03-14	100325150100	WATER JACKET SCREW M12×1×10	3	
E03-15	110013540000	O-RING	2	
E03-16	299076030050	SPARK PLUG	2	
E03-17	100083050000	O-RING	2	

E04 CLYINDER COVER ASSY



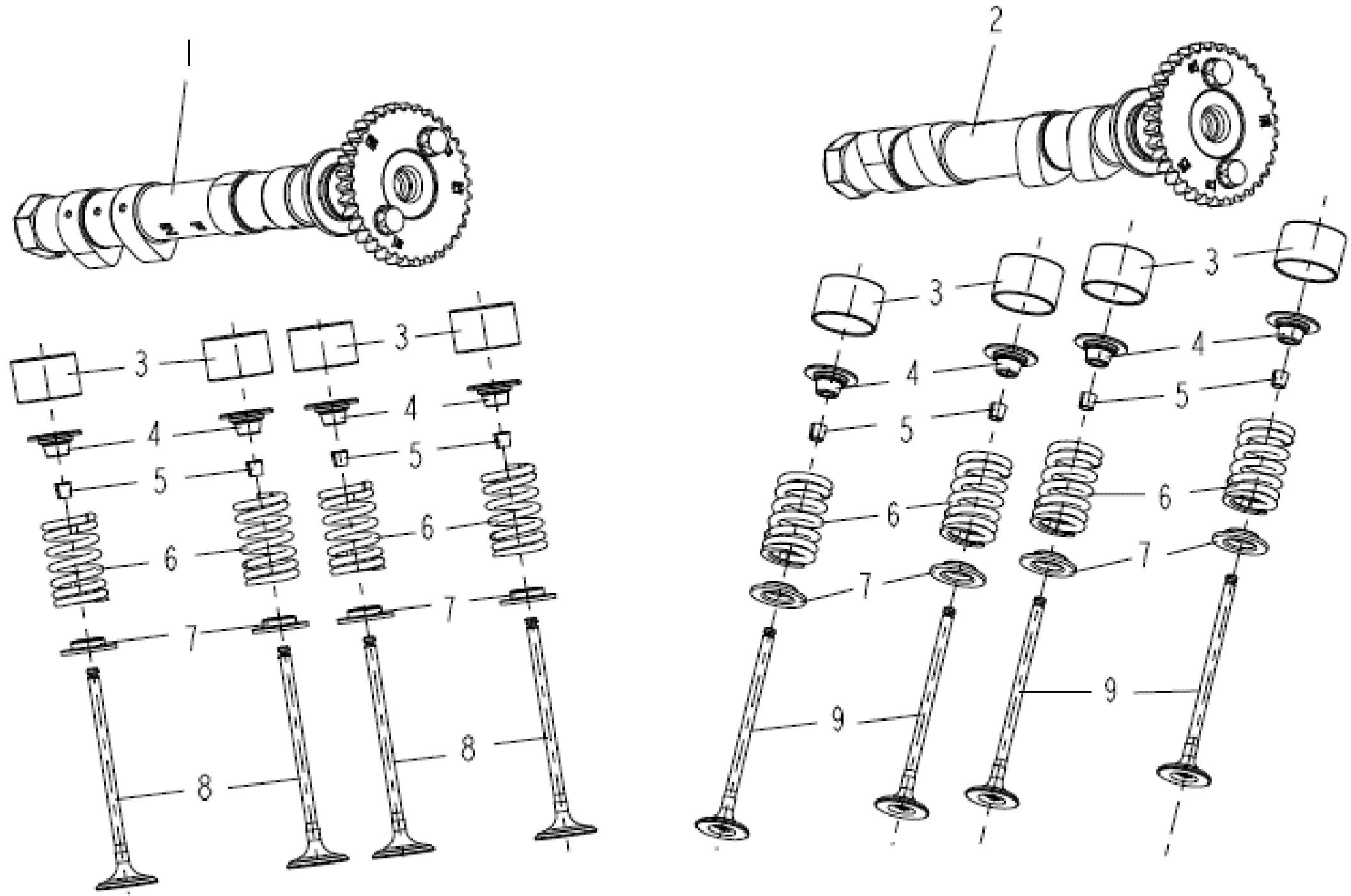
NO.	CODE	EN DESCRIPTION	QTY	REMARKS
E04-01	10913690NB01	CYLINDER HEAD MACHINING COMPONENTS	1	
E04-02	160306030180	HEXAGON INTERNAL PLUM BOLTS M6×14	1	
E04-03	109326900000	PIPE JOINT	1	
E04-04	109226570000	O-RING 18×3.5	1	
E04-05	109026520000	GASKET ASSEMBLY	1	
E04-06	109336900000	CYLINDER HEAD BOLT ASSEMBLY	1	
E04-07	160306030100	HEXAGON INTERNAL PLUM BOLTS M6×45	2	
E04-08	109316900000	REAR CYLINDER HEAD GASKET	1	
E04-09	100236030000	CYLINDER HEAD BOLT ASSEMBLY	6	
E04-10	100255150000	LOCATING PIN	2	
E04-11	10004609001X	SHORT STUD	4	
E04-12	120126030000	VALVE OIL SEAL	8	
E04-13	100325150100	WATER JACKET SCREW M12×1×10	3	
E04-14	110013540000	O-RING 27×1.8	2	
E04-15	299076030050	SPARK PLUG	2	
E04-16	100083050000	O-RING	2	

E05 VALVE MECHANISM SUB-ASSY



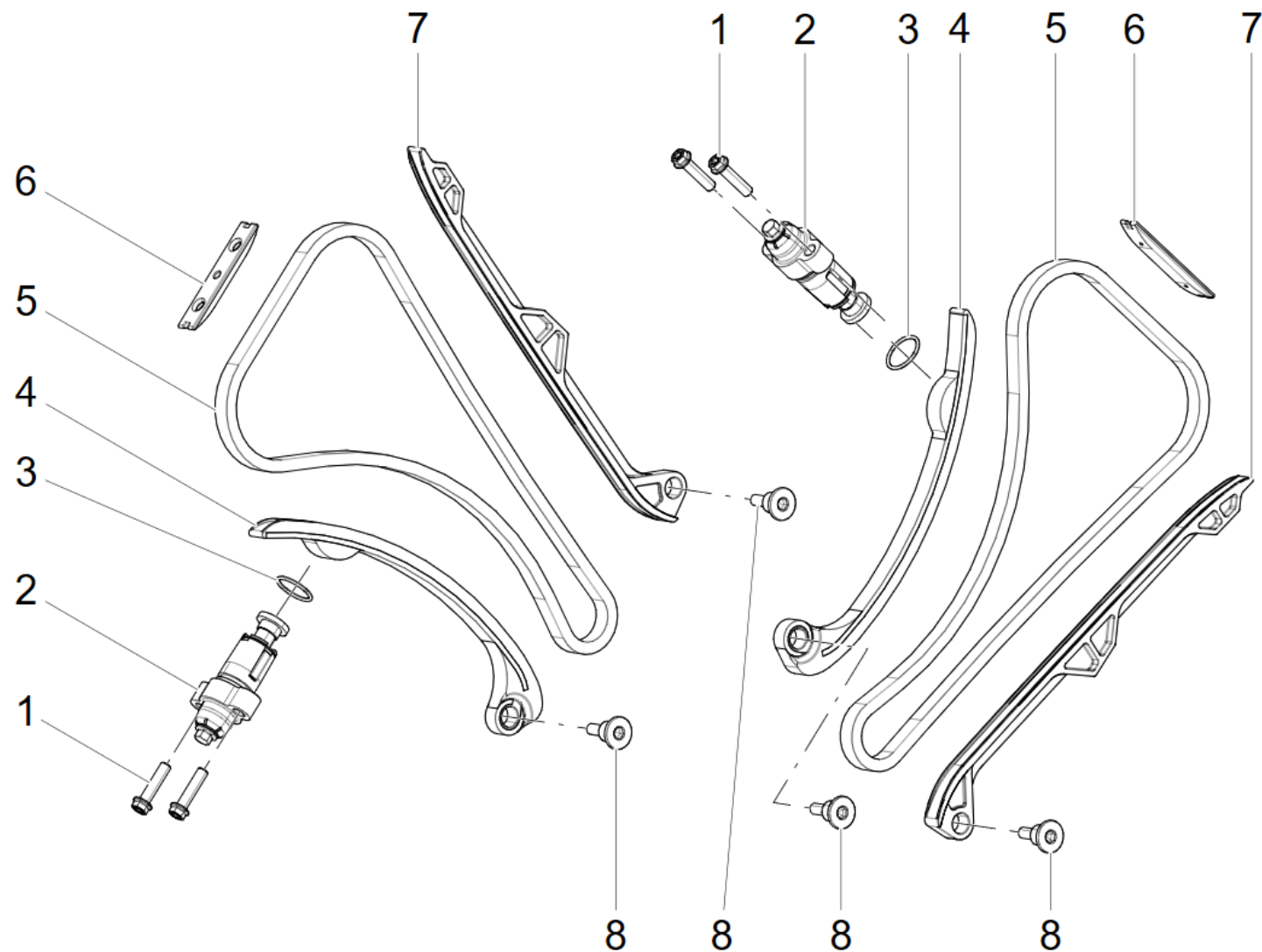
NO.	CODE	EN DESCRIPTION	QTY	REMARKS
E05-01	129126900020	CAMSHAFT ASSY,INTAKE	1	
E05-02	129116900020	CAMSHAFT ASSY,EXHAUST	1	
E05-03	120506030400	TAPPET 400	8	
E05-03	120506030402	TAPPET 402	8	
E05-03	120506030404	TAPPET 404	8	
E05-03	120506030406	TAPPET 406	8	
E05-03	120506030408	TAPPET 408	8	
E05-03	120506030410	TAPPET 410	8	
E05-03	120506030412	TAPPET 412	8	
E05-03	120506030414	TAPPET 414	8	
E05-03	120506030416	TAPPET 416	8	
E05-03	120506030418	TAPPET 418	8	
E05-03	120506030420	TAPPET 420	8	
E05-03	120506030422	TAPPET 422	8	
E05-03	120506030424	TAPPET 424	8	
E05-03	120506030426	TAPPET 426	8	
E05-03	120506030428	TAPPET 428	8	
E05-03	120506030430	TAPPET 430	8	
E05-04	129336220000	VALVE SPRING PLATE	8	
E05-05	120086030000	COTTER,VALVE	16	
E05-06	120176220000	SPRING,VALVE INLET	8	
E05-07	129216220000	SEAT,VALVE SPRING	8	
E05-08	129186900000	VALVE, INTAKE	4	
E05-09	129196900000	VALVE, EXHAUST	4	

E06 VALVE MECHANISM SUB-ASSY



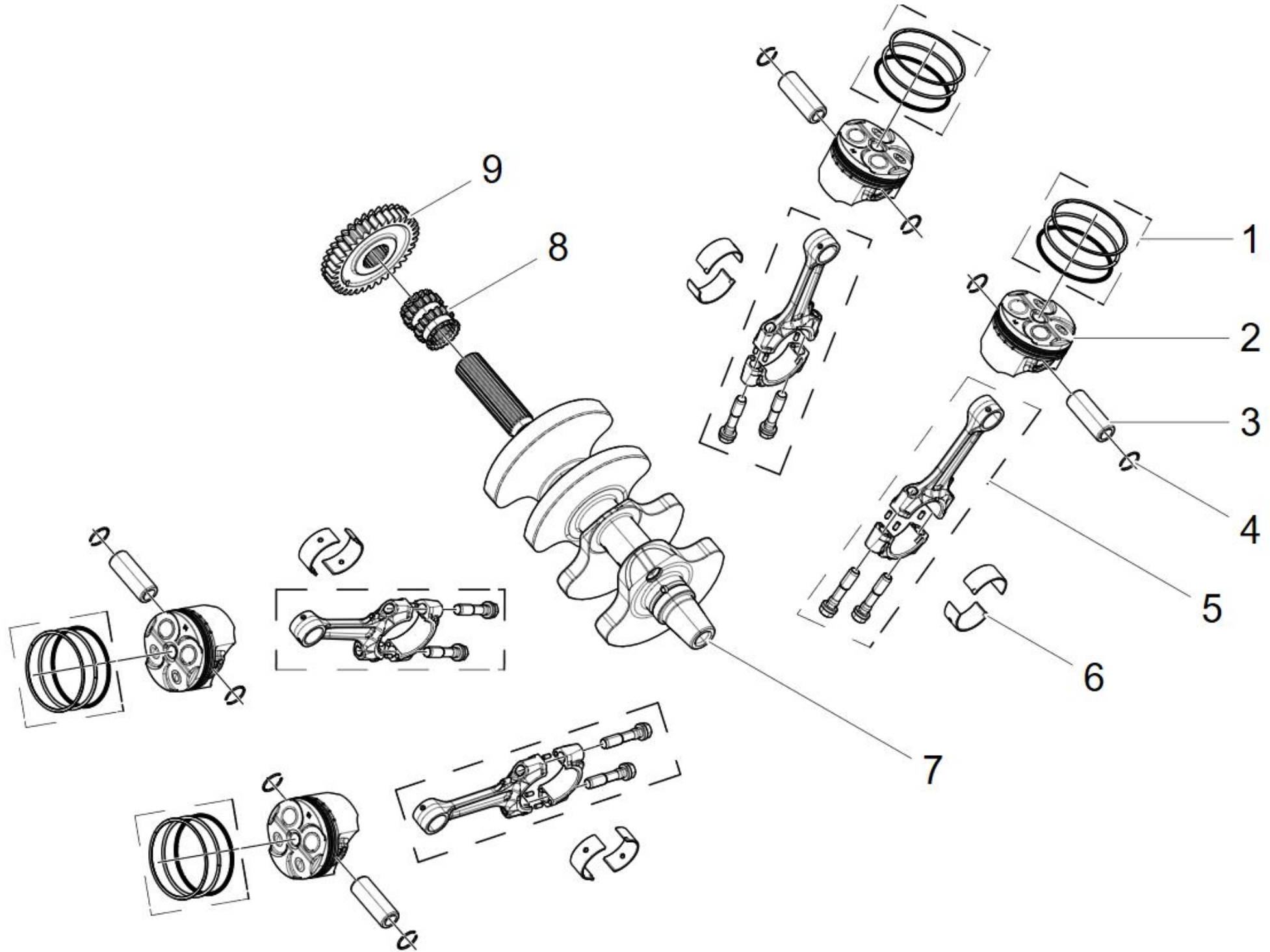
NO.	CODE	EN DESCRIPTION	QTY	REMARKS
E06-01	129116900030	CAMSHAFT ASSY,EXHAUST	1	
E06-02	129126900030	CAMSHAFT ASSY,INTAKE	1	
E06-03	120506030400	TAPPET 400	8	
E06-03	120506030402	TAPPET 402	8	
E06-03	120506030404	TAPPET 404	8	
E06-03	120506030406	TAPPET 406	8	
E06-03	120506030408	TAPPET 408	8	
E06-03	120506030410	TAPPET 410	8	
E06-03	120506030412	TAPPET 412	8	
E06-03	120506030414	TAPPET 414	8	
E06-03	120506030416	TAPPET 416	8	
E06-03	120506030418	TAPPET 418	8	
E06-03	120506030420	TAPPET 420	8	
E06-03	120506030422	TAPPET 422	8	
E06-03	120506030424	TAPPET 424	8	
E06-03	120506030426	TAPPET 426	8	
E06-03	120506030428	TAPPET 428	8	
E06-03	120506030430	TAPPET 430	8	
E06-04	129336220000	VALVE SPRING PLATE	8	
E06-05	120086030000	COTTER,VALVE	16	
E06-06	120176220000	SPRING,VALVE INLET	8	
E06-07	129216220000	SEAT,VALVE SPRING	8	
E06-08	129196900000	VALVE, EXHAUST	4	
E06-09	129186900000	VALVE, INTAKE	4	

E07 STRAINER UNIT ASSY



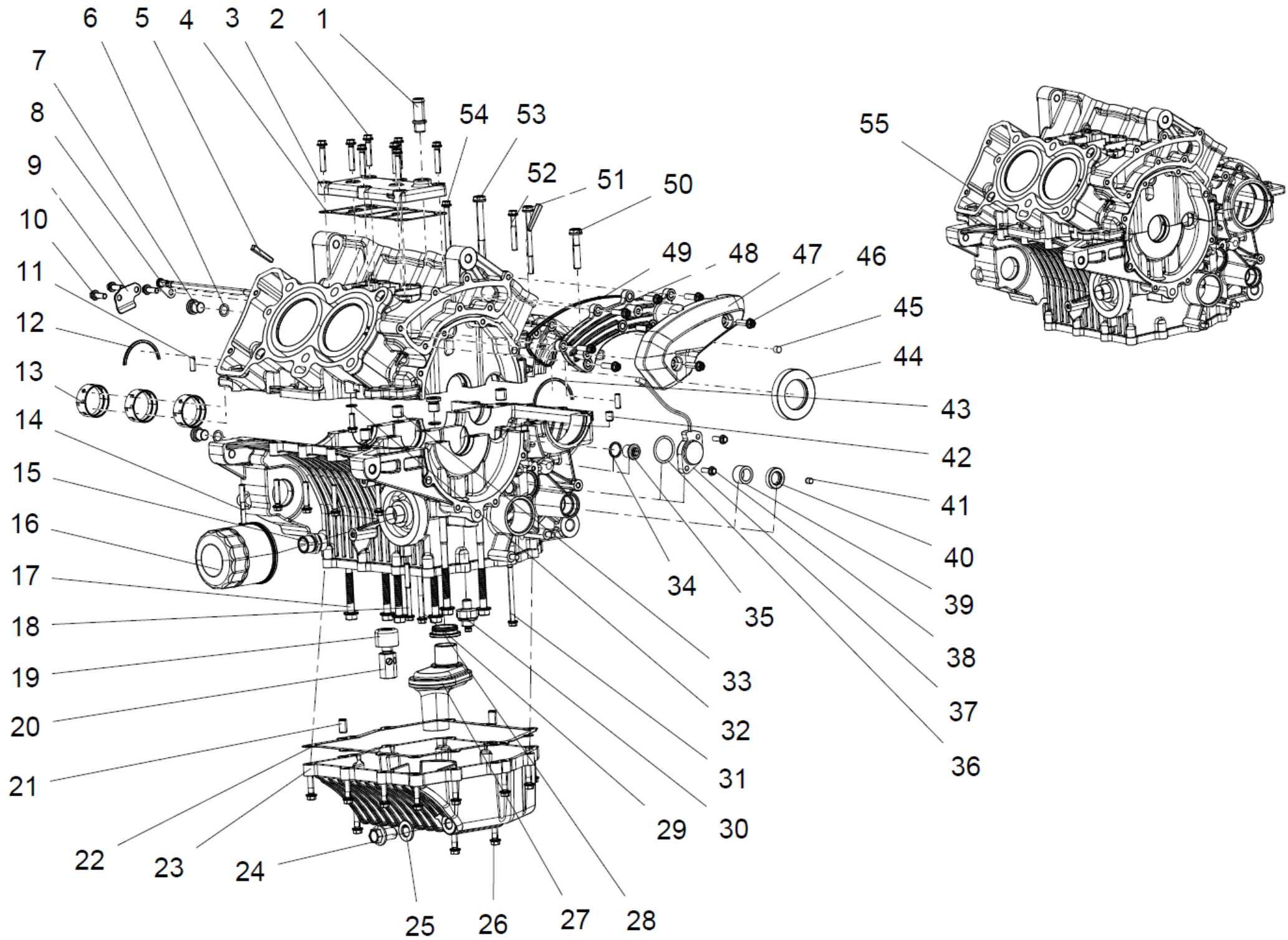
NO.	CODE	EN DESCRIPTION	QTY	REMARKS
E07-01	160306030050	BOLT M6×15	4	
E07-02	14903690NB01	TENSIONER ASSEMBLY	2	
E07-03	140116060000	O-RING 18.5×2	2	
E07-04	149016900000	DOMINANT CHAIN ASSEMBLY	2	
E07-05	129025440000	TIMING CHAIN	2	
E07-06	140186030000	UPPER CHAIN PLATE ASSEMBLY	2	
E07-07	149026900000	SECONDARY CHAIN GUIDE	2	
E07-08	140156570000	MAIN TIMING CHAIN GUIDE SCREW	4	

E08 PISTON,CONNECTING ROD & CRANKSHAFT ASSY



NO.	CODE	EN DESCRIPTION	QTY	REMARKS
E08-01	179155210000	PISTON RING COMPONENT	4	
E08-02	179136900000	PISTON	4	
E08-03	179145210000	PISTON PIN	4	
E08-04	179155140000	CIRCLIP PISTON PIN	8	
E08-05	179036900000	CONNECTING ROD ASSEMBLY	4	
E08-06	179076900000	CONNECTING ROD BEARINGS (YELLOW)	8	
E08-06	179076900010	CONNECTING ROD BEARINGS (GREEN)	8	
E08-06	179076900020	CONNECTING ROD BEARINGS (BLUE)	8	
E08-07	179016900000	CRANKSHAFT	1	
E08-08	179336900000	SPROCKET	1	
E08-09	179306900000	CLUTCH ACTIVE GEAR	1	

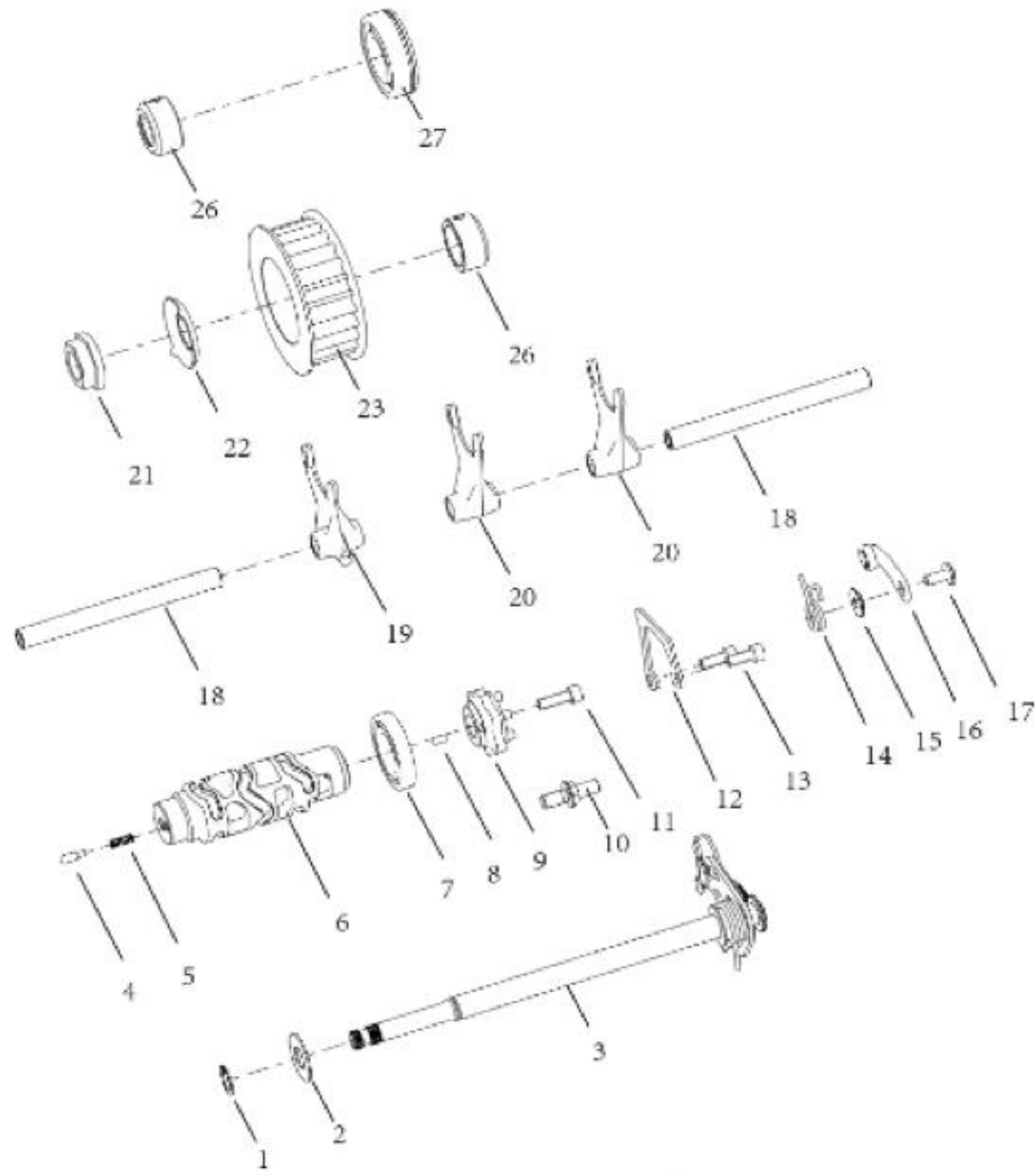
E09 CRANKCASE ASSY



NO.	CODE	EN DESCRIPTION	QTY	REMARKS
E09-01	169256460000	TUBE	1	
E09-02	160306030070	BOLT M6×30	12	
E09-03	15911690BG01	LABYRINTH COVER	1	
E09-04	159106900000	LABYRINTH COVER GASKET	1	
E09-05	130015250000	RUBBRT PLUG	2	
E09-06	100053070001	O-RING 10×2	3	
E09-07	100156530000	PLUG M12×1.5	3	
E09-08	159146900000	OIL PIPE	1	
E09-09	159086900000	COVER PLATE	1	
E09-10	160306030020	BOLT M6×16	4	
E09-11	159386610000	LOCATING PIN 6×16	2	
E09-12	159206610000	CLASP 1	1	
E09-13	159136520000	BEARING SHELL (PINK)	6	
E09-13	159136520010	BEARING SHELL (YELLOW)	6	
E09-13	159136520020	BEARING SHELL (GREEN)	6	
E09-14	160306030100	BOLT M6×45	1	
E09-15	159476600000	OIL FILTER JOINT	1	
E09-16	269256600000	OIL FILTER	1	
E09-17	159126520000	BOLT M8×105	6	
E09-18	160306030120	BOLT M6×60	1	
E09-19	260266610000	RELIEF VALVE COVER	1	
E09-20	159596600000	RELIEF VALVE	1	
E09-21	130052140000	LOCATING PIN 8×14	2	
E09-22	159076900000	OIL SUMP GASKET	1	
E09-23	15906690BG01	OIL SUMP	1	
E09-24	159506570000	BOLT M12×1.5×22	1	
E09-25	150086600000	WASHER	1	
E09-26	160306030060	BOLT M6×28	12	
E09-27	269176900000	COARSE OIL FILTER	1	
E09-28	269166520000	SEAL RING	1	
E09-29	160306030350	BOLT M6×55	1	

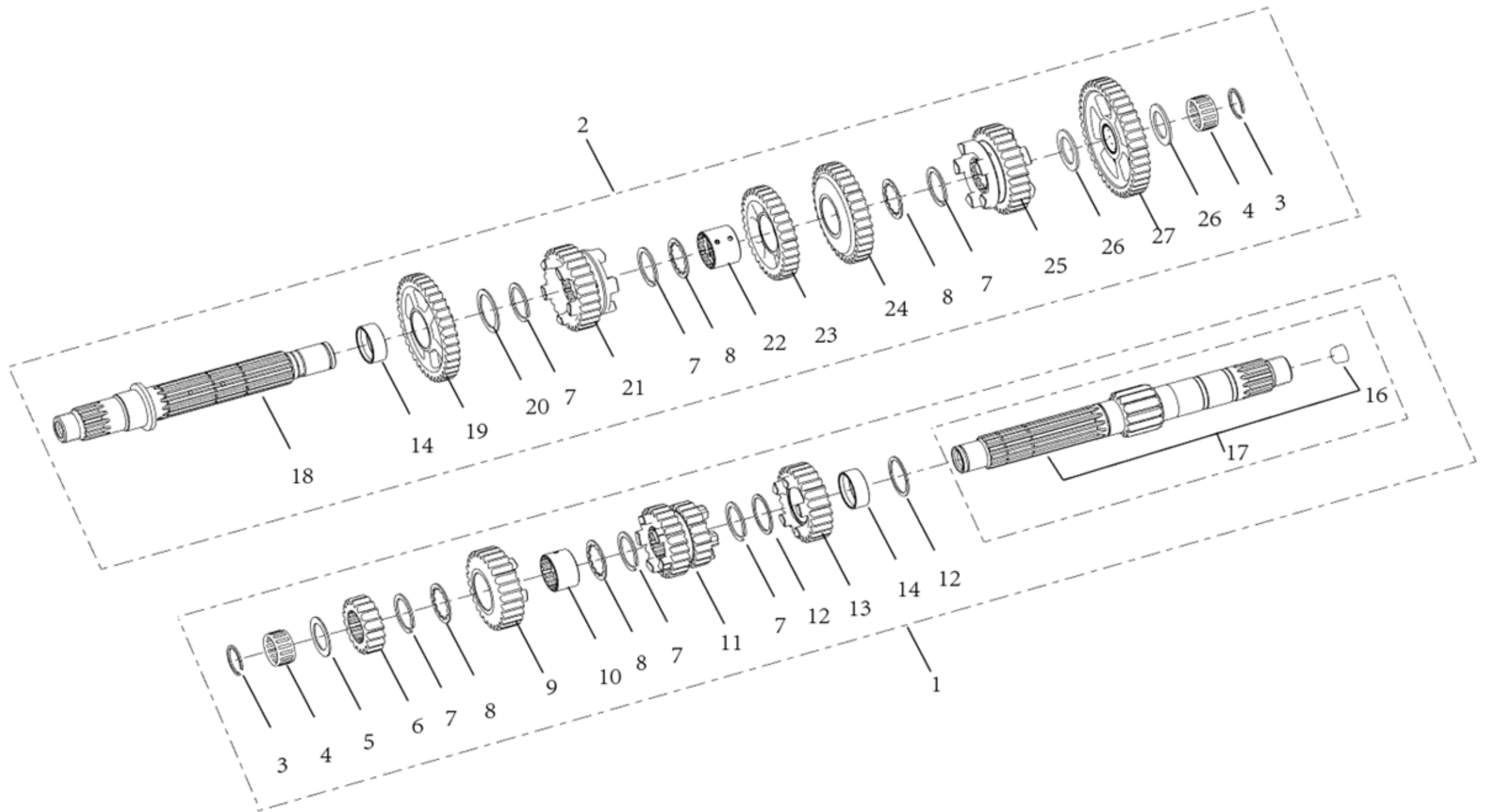
NO.	CODE	EN DESCRIPTION	QTY	REMARKS
E09-30	159586600000	OIL PRESSURE SWITCH	1	
E09-31	160306030300	BOLT M6×90	1	
E09-32	170226090000	GASKET 6.5×12×1	1	
E09-33	130015090000	LOCATING PIN	2	
E09-34	159366460000	WASHER	1	
E09-35	159376460000	BOLT M14	1	
E09-36	B190102580B0	O-RING 25.8×2.65	1	
E09-37	150196030020	GEAR SENSOR	1	
E09-38	B0107050166H	BOLT M5×16	2	
E09-39	B1212K141202	NEEDLE BEARING HK1412	1	
E09-40	159176610000	OIL SEAL	1	
E09-41	150103070002	PLUG	1	
E09-42	159426610000	OIL NOZZLE 4	1	
E09-43	159356610000	CLASP 2	1	
E09-44	159156610000	OIL SEAL	1	
E09-45	169205150000	PLUG	1	
E09-46	160306030040	BOLT M6×22	9	
E09-47	169656900000	INLET COVER DECORATE PLATE	1	
E09-48	15912690NB01	INLET COVER	1	
E09-49	159136900000	SEAL RING	1	
E09-50	160306030220	BOLT M8×40	1	
E09-51	160306030200	BOLT M6×72	1	
E09-52	160306030090	BOLT M6×40	1	
E09-53	160306030230	BOLT M8×70	1	
E09-54	160306030140	BOLT M6×85	1	
E09-55	15904690NB01	CRANKCASE	1	

E10 GEAR SHIFT MECHANISM ASSEMBLY



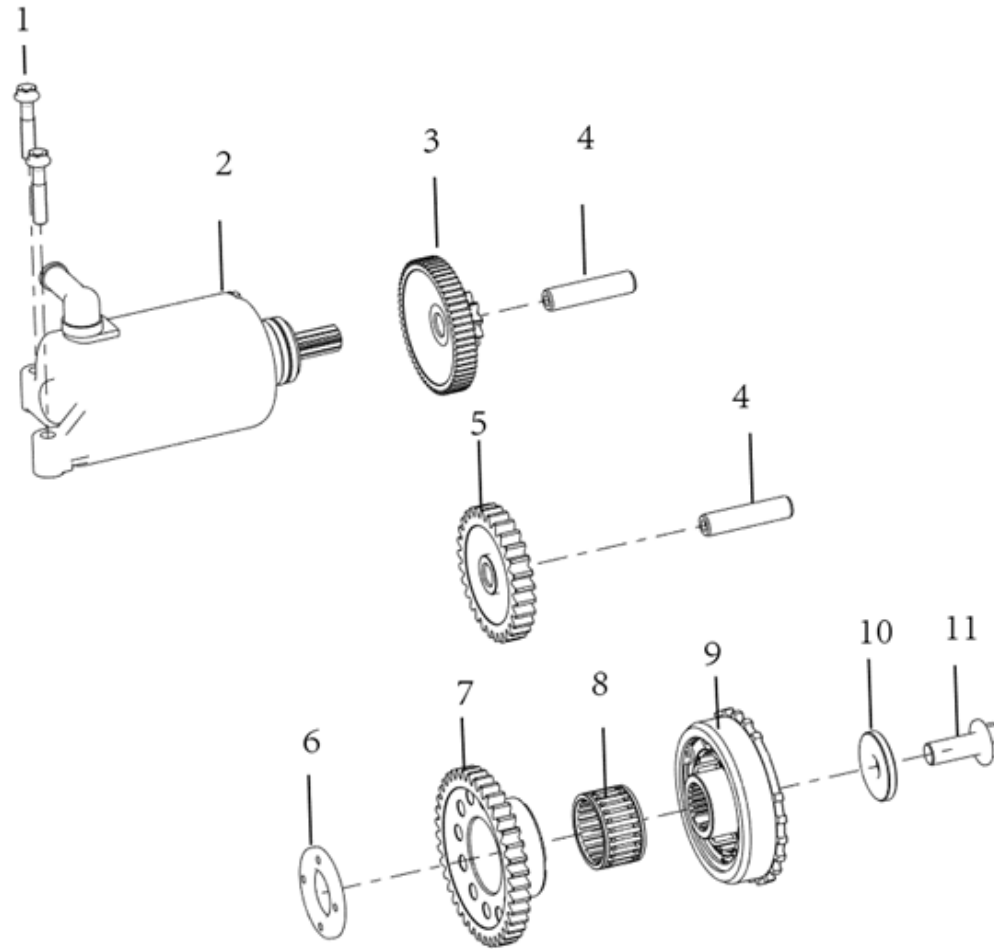
NO.	CODE	EN DESCRIPTION	QTY	REMARKS
E10-01	B080100014A1	CIRCLIP FOR SHAFT 14	1	
E10-02	219416610000	WASHER 14.2×30×1.2	1	
E10-03	219016900000	SHIFTER ASSEMBLY	1	
E10-04	210323090000	SHIFT CONVERSION CONTACTS	1	
E10-05	210313090000	CONTACT SPRING	1	
E10-06	219056900000	GEAR SHIFT DRUM	1	
E10-07	B12016160500	DEEP GROOVE BALL BEARINGS 25×47×8	1	
E10-08	B090104008B0	CYLINDRICAL PINS 4×8	1	
E10-09	219356610000	STAR POSITIONING PLATE	1	
E10-10	219716610000	RETURN SPRING SCREW	1	
E10-11	B0205060206H	ALLEN CYLINDRICAL HEAD SCREW M6×20	1	
E10-12	219366610000	SHIFT DRUM PRESSURE PLATE	1	
E10-13	B0205060166H	ALLEN CYLINDRICAL HEAD SCREWM6×16	2	
E10-14	219486610000	BRAKE ARM SPRING	1	
E10-15	219476610000	ROCKER BUSHINGS	1	
E10-16	219436610000	SHIFT POSITIONING WHEEL COMBINATION	1	
E10-17	B0283060146H	SCREWS M6×14	1	
E10-18	219086610000	FORK SHAFT	2	
E10-19	219106610000	SPINDLE FORK	1	
E10-20	219116610000	COUNTERSHAFT FORK	2	
E10-21	219696610000	NUT	1	
E10-22	219686610000	WASHER	1	
E10-23	219296900000	OUTPUT PULLEY	1	
E10-26	219756610000	SLEEVE	2	
E10-27	219776610000	DEEP GROOVE BALL BEARINGS 6205N	1	

E11 MAIN AND AUXILIARY SHAFT ASSEMBLY

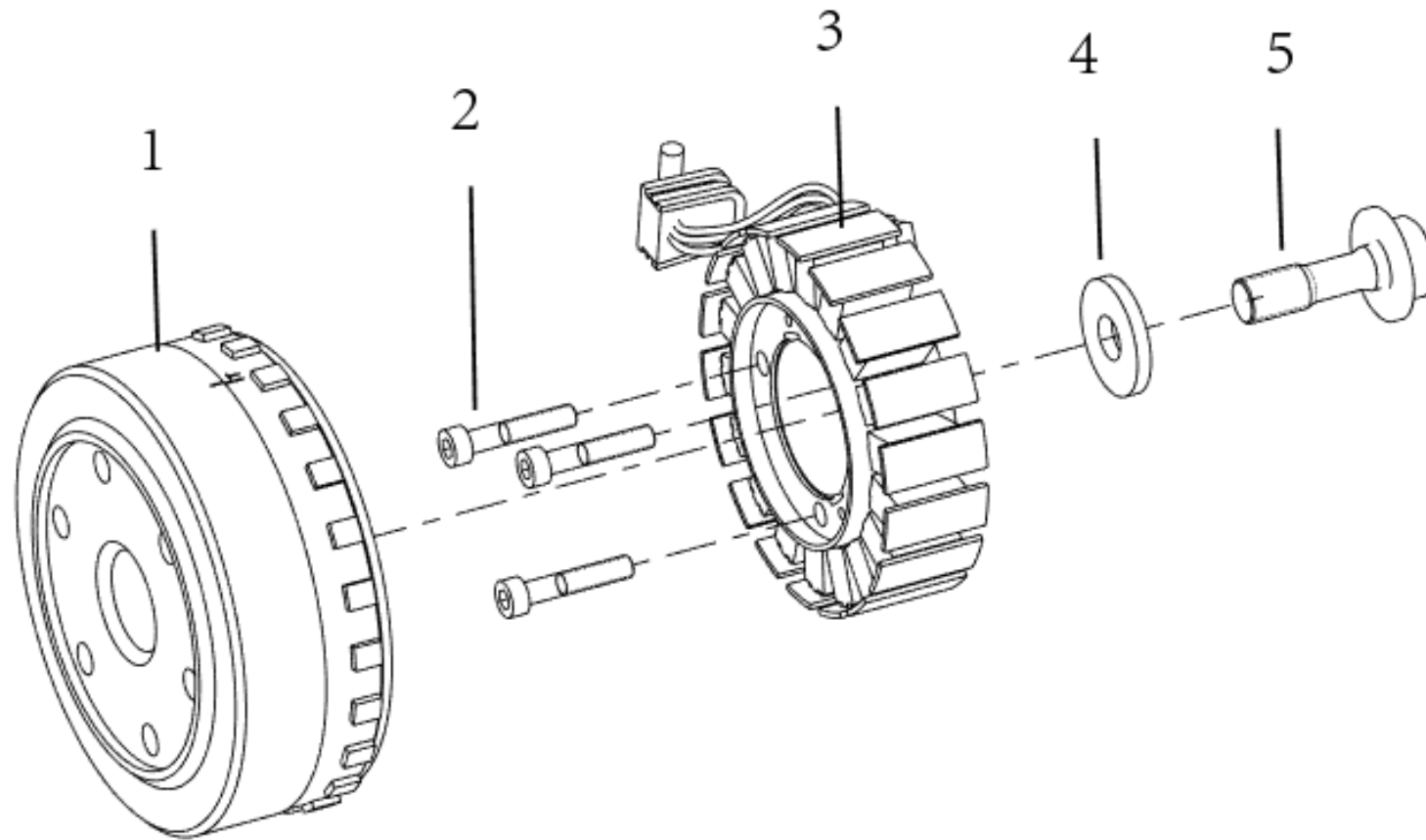


NO.	CODE	EN DESCRIPTION	QTY	REMARKS
E11-01	219136900000	MAINSHAFT ASSEMBLY	1	
E11-02	219216610010	COUNTERSHAFT ASSEMBLY	1	
E11-03	219726610000	ELASTIC RETAINING RING 20	2	
E11-04	219606610000	NEEDLE ROLLER BEARINGS 20×25×12.8	2	
E11-05	219746610000	WASHER 20.5×30×1	1	
E11-06	219166610000	MAINSHAFT SECOND GEAR GEAR	1	
E11-07	219586610000	ELASTIC RETAINING RING 25	6	
E11-08	219576610000	SPLINE WASHERS	4	
E11-09	219206610000	MAINSHAFT SIX-SPEED GEAR	1	
E11-10	219626610000	BUSHINGS 26×28×16.6	1	
E11-11	219176610000	MAINSHAFT THREE AND FOUR GEARS	1	
E11-12	219616610000	WASHER 25.3×30×1	2	
E11-13	219196610000	MAINSHAFT FIVE GEARS	1	
E11-14	219706610000	BUSHING 25×28×10.4	2	
E11-16	210556900000	PLUGS	1	
E11-17	219136900001	MAINSHAFT	1	
E11-18	219226610000	COUNTERSHAFT	1	
E11-19	219246610000	COUNTERSHAFT SECOND GEAR GEAR	1	
E11-20	219636610000	WASHER 25.3×33×1	1	
E11-21	219286610000	COUNTERSHAFT SIX-SPEED GEAR	1	
E11-22	219656610000	THREE AND FOUR GEAR BUSHINGS	1	
E11-23	219266610000	COUNTERSHAFT FOUR-SPEED GEAR	1	
E11-24	219256610000	COUNTERSHAFT THREE-SPEED GEAR	1	
E11-25	219276610000	COUNTERSHAFT FIVE-SPEED GEAR	1	
E11-26	219646610000	WASHERS 20.5×31×1.5	2	
E11-27	219496610000	COUNTERSHAFT FIRST GEAR ASSEMBLY	1	

E12 ELECTRICAL SYSTEM

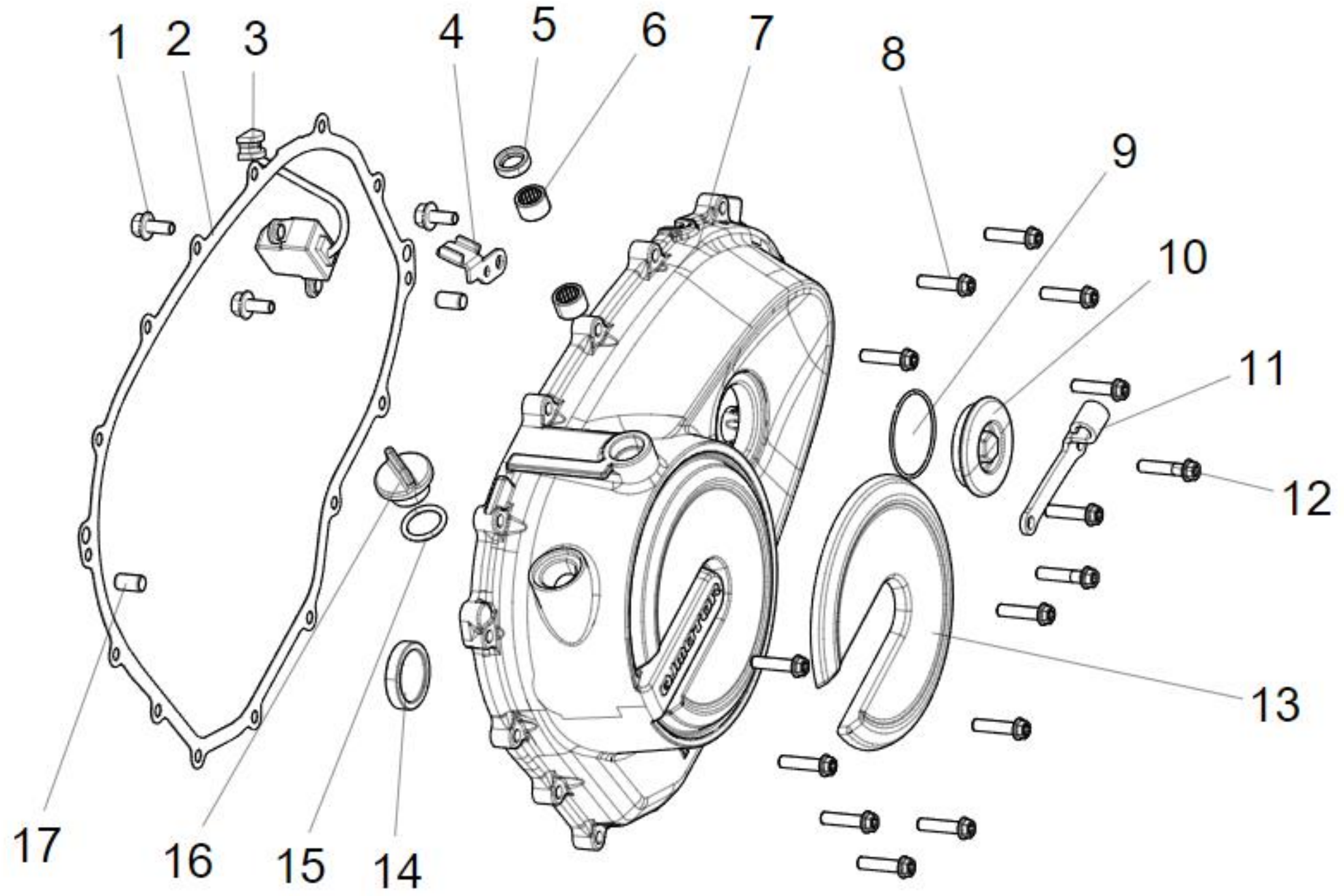


NO.	CODE	EN DESCRIPTION	QTY	REMARKS
E12-01	160306030070	BOLT M6×30	2	
E12-02	24901690BY01	STARTER MOTOR	1	
E12-03	249046900000	STARTING IDLER 1	1	
E12-04	249056530000	START THE IDLER AXLE	2	
E12-05	249146900000	STARTING IDLER 2	1	
E12-06	249276680000	WASHER 22.2×42×3	1	
E12-07	249086900000	START THE BIG GEAR	1	
E12-08	249236680000	NEEDLE ROLLER BEARINGS 30×35×19.6	1	
E12-09	249106900000	BEYOND CLUTCH COMPONENTS	1	
E12-10	249296680000	WASHER 10.7×31.8×4	1	
E12-11	179336520000	BOLT M10×25	1	

E14 ELECTRICAL SYSTEM

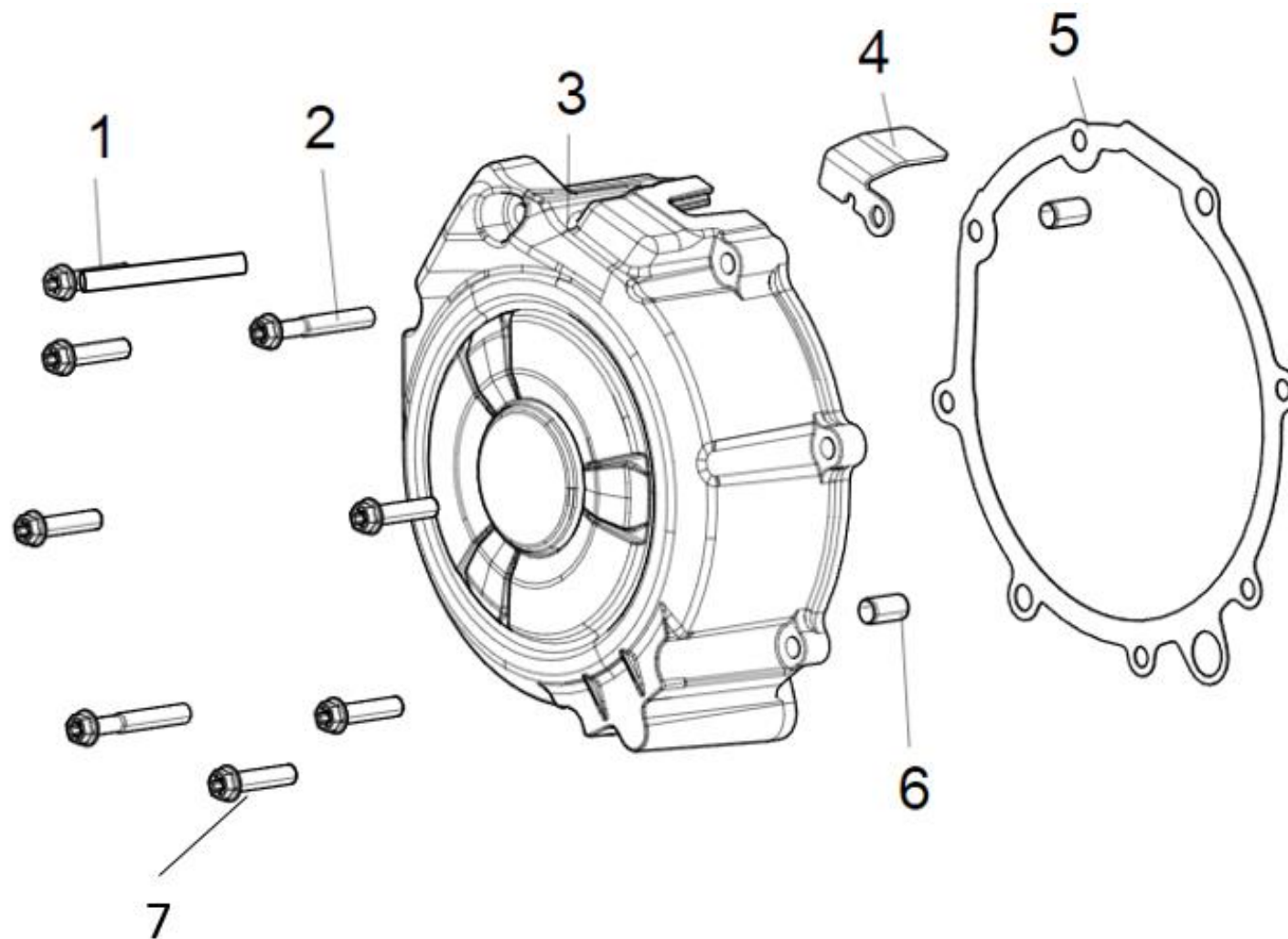
NO.	CODE	EN DESCRIPTION	QTY	REMARKS
E14-01	299026030000	FLYWHEEL COMBINATION	1	
E14-02	B0205060326H	ALLEN CYLINDRICAL HEAD SCREW M6×32	3	
E14-03	299036030030	STATOR ASSEMBLY	1	
E14-04	170106030000	FLYWHEEL WASHERS	1	
E14-05	170066030100	FLYWHEEL SET-BOLT M12×40	1	

E15 RIGHT COVER ASSY



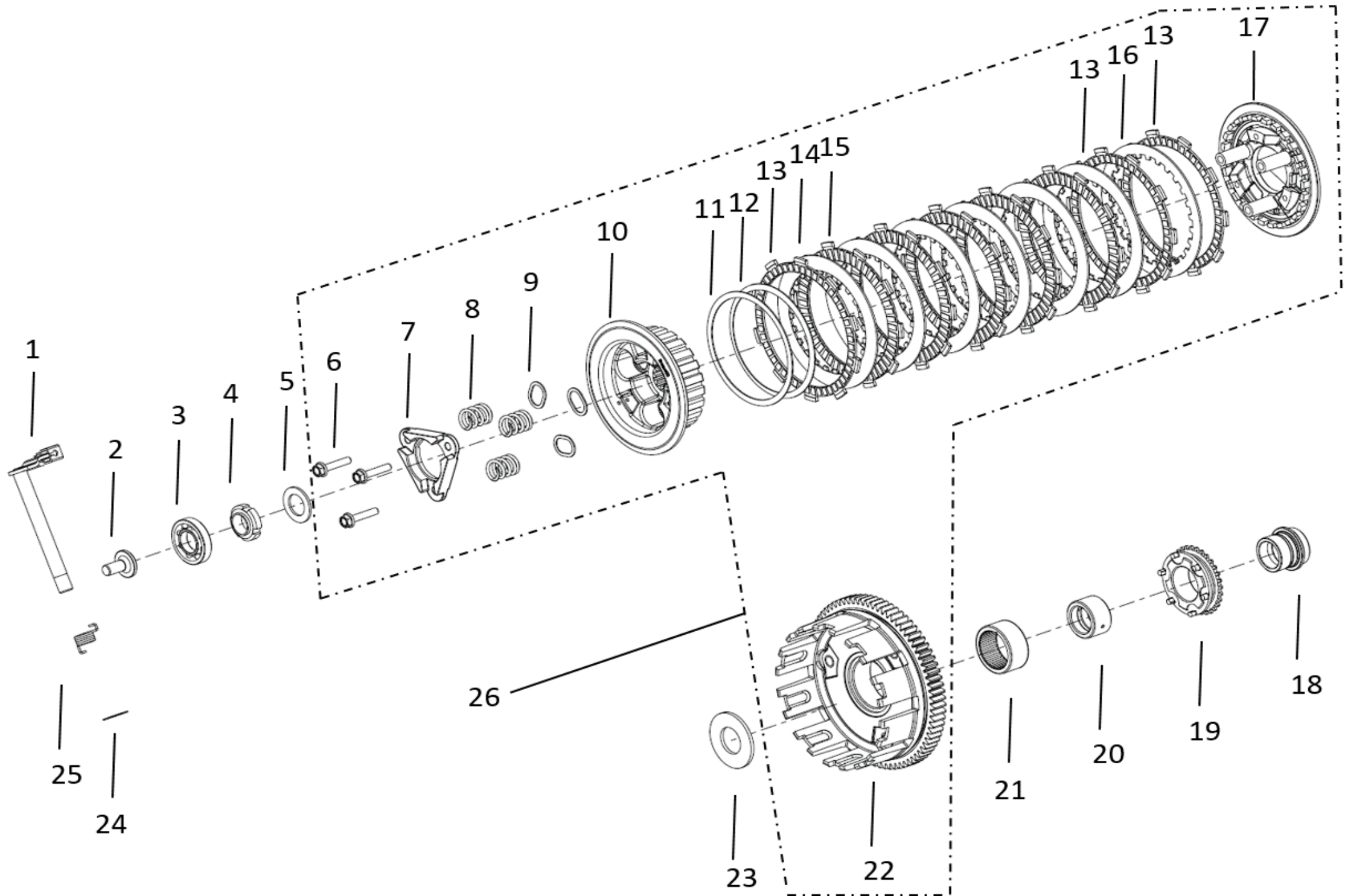
NO.	CODE	EN DESCRIPTION	QTY	REMARKS
E15-01	B0109060146H	BOLT M6×14	3	
E15-02	169096900000	RIGHT COVER PRESSURE PLATE	1	
E15-03	169226680010	TRIGGER HEAD ASEMBLY	1	
E15-04	169046900000	HARNESS CLAMP	1	
E15-05	200001050000	SEPARATION ROD OIL SEAL	1	
E15-06	B1212K121002	NEEDLE BEARING 12×16×10	2	
E15-07	16901690MM02	RIGHT COVER	1	
E15-08	160306030060	BOLT M6×28	13	
E15-09	160056090000	O-RING 41×1.78	1	
E15-10	16004606MM00	PHASE PLUG	1	
E15-11	169056900000	CLUTCH CABLE SUPPORT	1	
E15-12	160306030060	BOLT M6×28	2	
E15-13	169026900000	RIGHT COVER NAMEPLATE	1	
E15-14	160036090000	OIL LEVEL INDICATOR	1	
E15-15	160063070000	O-RING 18×3.5	1	
E15-16	16006309MM01	FILLER PORT PLUG	1	
E15-17	130052140000	LOCATING PIN 8×14	2	

E16 LEFT COVER ASSY



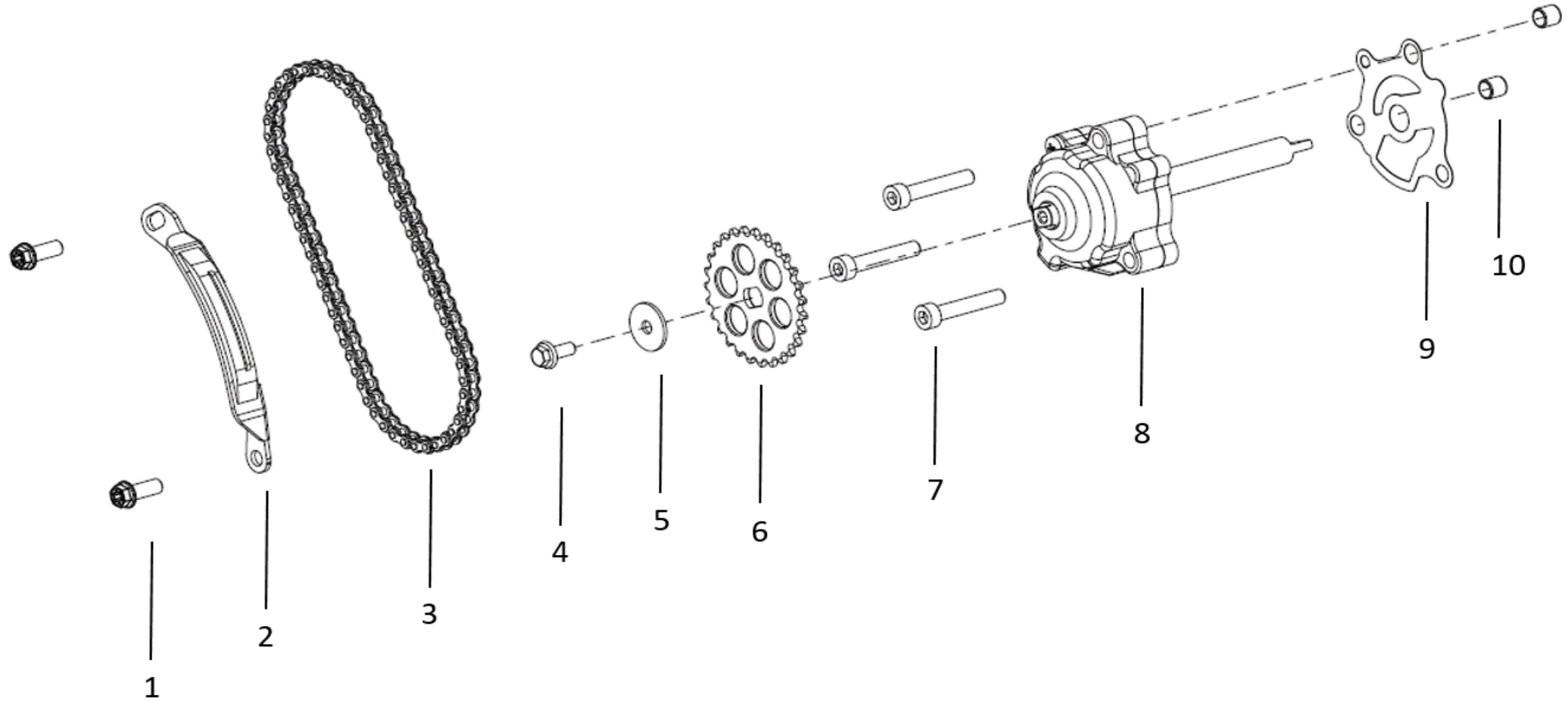
NO.	CODE	EN DESCRIPTION	QTY	REMARKS
E16-01	160306030130	BOLT M6×65	1	
E16-02	160306030090	BOLT M6×40	2	
E16-03	16951690MM01	LEFT COVER	1	
E16-04	169536900000	OUTLET PRESSURE PLATE	1	
E16-05	169526900000	LEFT COVER GASKET	1	
E16-06	130052140000	LOCATING PIN 8×14	2	
E16-07	160306030050	BOLT M6×25	5	

E17 CLUTCH SYSTEM



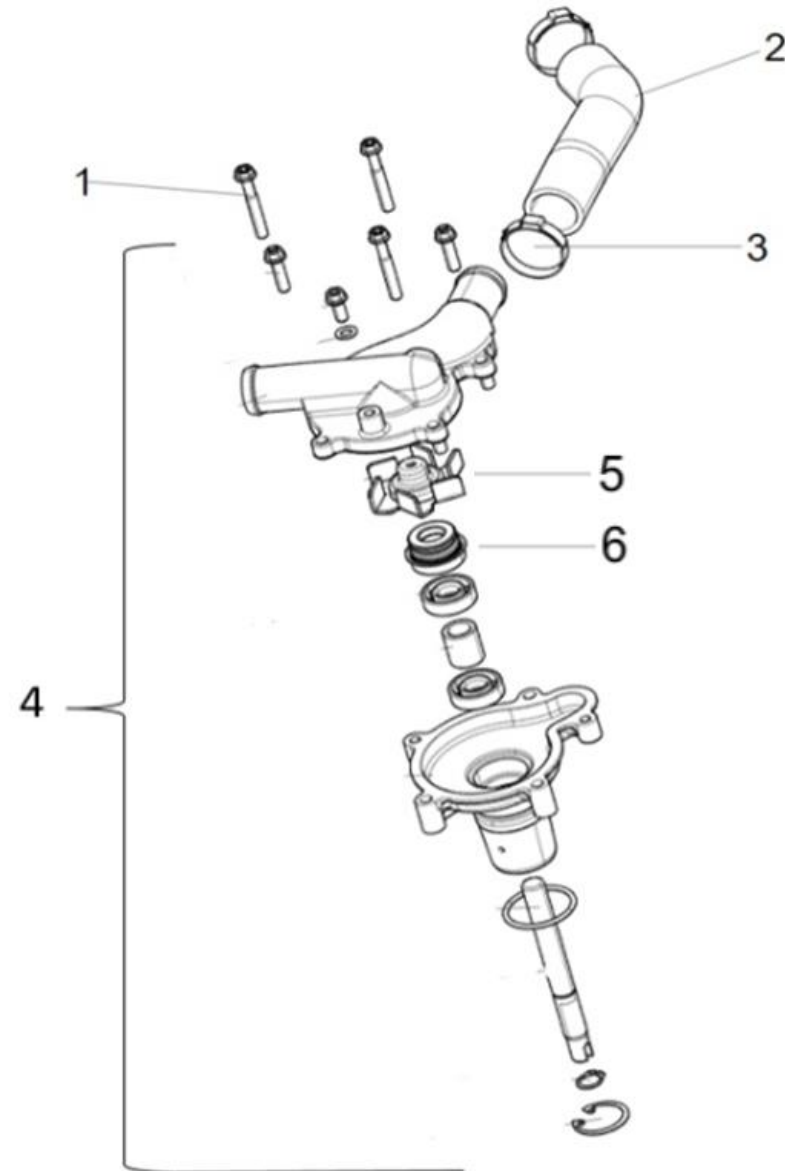
NO.	CODE	EN DESCRIPTION	QTY	REMARKS
E17-01	200096280010	OPERATING LEVER ASSY	1	
E17-02	200066280000	HANDSPIKE	1	
E17-03	B12016600401	ROLLING BEARING 16004	1	
E17-04	210166030001	NUT	1	
E17-05	210156030001	WASHER	1	
E17-06	B01090603062	BOLT M6×30	3	
E17-07	209166280030	CLUTCH SPRING PRESSURE PLATE	1	
E17-08	209186900000	CLUTCH SPRING	3	
E17-09	200326280000	SHIM	3	
E17-10	209146280030	CLUTCH HUB ASSEMBLY	1	
E17-11	200236030001	WASHER	1	
E17-12	200226030001	DISC SPRING	1	
E17-13	200366030000	FRICTION PLATE I	3	
E17-14	200216030010	CLUTCH PLATE	6	
E17-15	200376030000	FRICTION PLATE II	5	
E17-16	209176280040	CLUTCH PLATE I	1	
E17-17	209156280030	CLUTCH CENTRAL PRESSURE PLATE	1	
E17-18	210146900000	SPROCKET SLEEVE	1	
E17-19	269116900000	OIL PUMP DRIVE SPROCKET	1	
E17-20	200176030001	SHAFT SLEEVE	1	
E17-21	200476030000	NEEDLE BEARING 35×20	1	
E17-22	209026900000	CLUTCH ACTIVE HUB ASSEMBLY	1	
E17-23	200446030000	WASHER 26×52×3	1	
E17-24	200056030010	WASHER 12×22×0.8	1	
E17-25	200046900000	RETURN SPRING	1	
E17-26	209016900000	CLUTCH ASSEMBLY	1	

E18 LUBRICATE SYSTEM



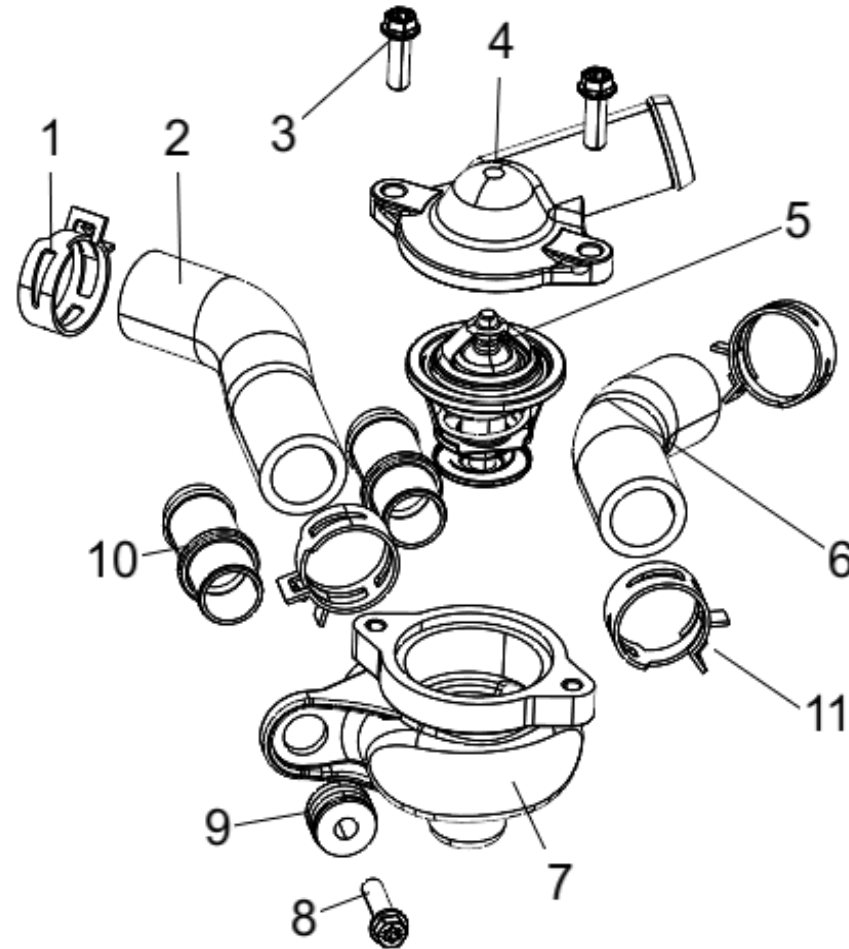
NO.	CODE	EN DESCRIPTION	QTY	REMARKS
E18-01	160306030020	BOLT M6×16	2	
E18-02	269126900000	CHAIN GUIDE PLATE ASSEMBLY	1	
E18-03	269056030010	OIL PUMP CHAIN	1	
E18-04	B0107050126H	HEXAGON FLANGE BOLT M5×12	1	
E18-05	260106030000	WASHER 5×20×1.5	1	
E18-06	260116900000	OIL PUMP SPROCKET	1	
E18-07	B0205060356H	HEXAGON SOCKET SCREW M6×35	3	
E18-08	269016900000	OIL PUMP COMPONENTS	1	
E18-09	260236030000	OIL PUMP GASKET	1	
E18-10	200086030000	LOCATING PIN Φ8×8	2	

E19 WATER PUMP SUB-ASSY



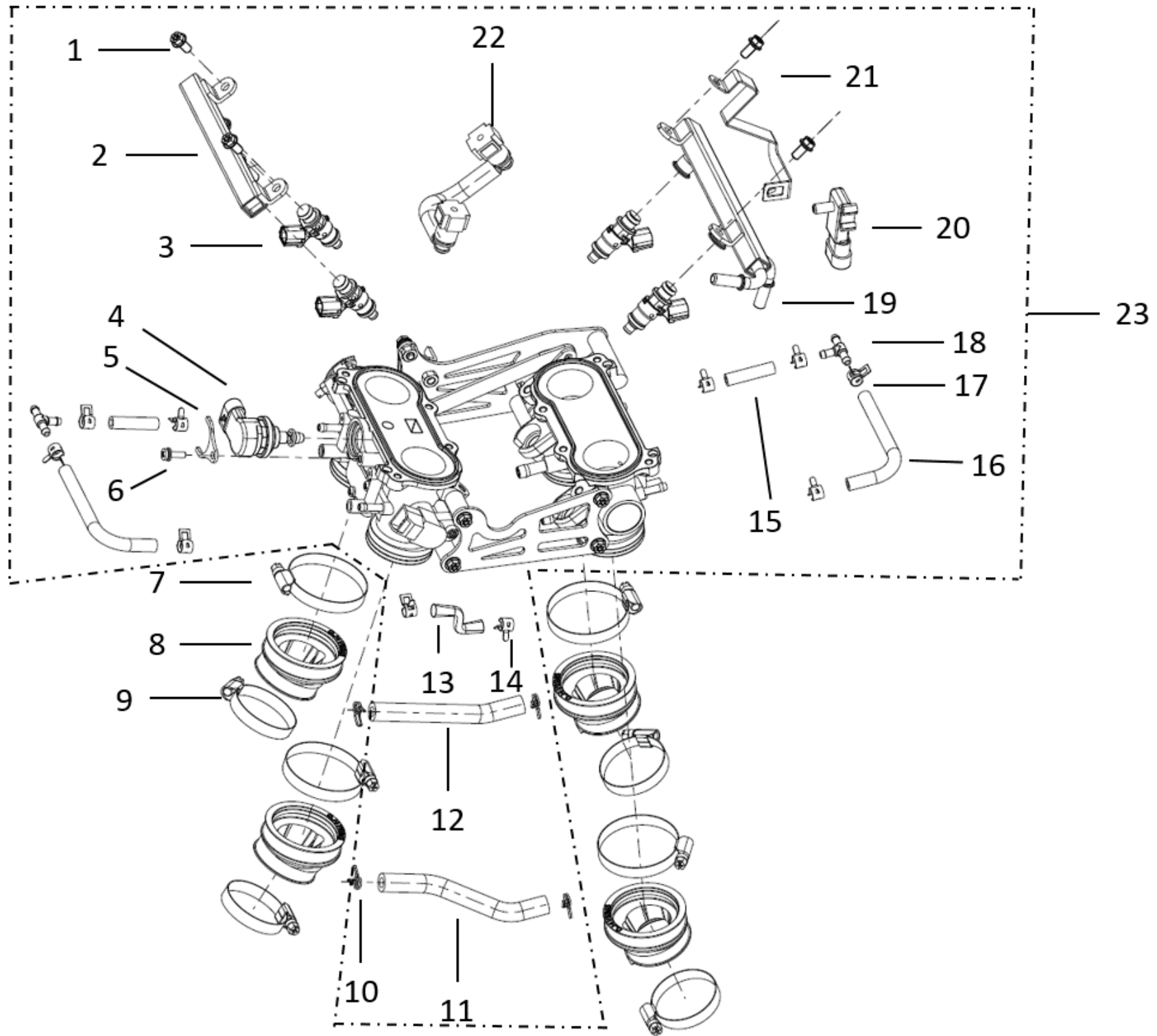
NO.	CODE	EN DESCRIPTION	QTY	REMARKS
E19-01	160306030090	BOLT M6×40	3	
E19-02	279236900000	OUTLET PIPE	1	
E19-03	49650S010000	CLAMP 033.1-706R	2	
E19-04	27929690BG00	WATER PUMP ASSY	1	
E19-05	279216030000	IMPELLER	2	
E19-06	270216030000	EKK SEAL COMPONENTS	1	

E20 THERMONSTAT SUB-ASSEMBLY



NO.	CODE	EN DESCRIPTION	QTY	REMARKS
E20-01	270156900000	CLAMP 26	2	
E20-02	270136900000	REAR CYLINDER OUTLET PIPE	1	
E20-03	160306030420	BOLT M6×18	2	
E20-04	27005690NB01	THERMOSTAT COVER	1	
E20-05	279156530000	THERMOSTAT	1	
E20-06	270126900000	FRONT CYLINDER OUTLET PIPE	1	
E20-07	27003690BG01	THERMOSTAT PUMP BODY	1	
E20-08	160306030040	BOLT M6×22	1	
E20-09	65616L430000	RUBBER PAD FOR GUARD PLATE	1	
E20-10	270066900000	TUBE	2	
E20-11	06103N120100	CLAMP 25	2	

E21 THROTTLE VALVE SUB-ASSEMBLY



NO.	CODE	EN DESCRIPTION	QTY	REMARKS
E21-01	160306030020	HEXAGONAL INTERNAL PLUM BLOSSOM BOLT M6×16	4	
E21-02	280146900000	FRONT OIL RAIL	1	
E21-03	280236900000	FUEL INJECTOR	4	
E21-04	280036900000	STEPPING MOTOR	1	
E21-05	280046900000	STEPPER MOTOR PRESS PLATE	1	
E21-06	B02000501029	SCREWS M5×10	1	
E21-07	49350L350000	CLAMP COMPONENT37-58	4	
E21-08	289516900000	AIR INTAKE PIPE	4	
E21-09	110043090015	CLAMP COMPONENT32-48	4	
E21-10	B00010130007	PIPE CLAMP Φ13	4	
E21-11	280216900000	DESORPTION RUBBER HOSE II	1	
E21-12	280206900000	DESORPTION RUBBER HOSE I	1	
E21-13	55065J000004	INLET PRESSURE SENSOR HOSE	1	
E21-14	280046280000	PLATE CLAMP Φ9	2	
E21-15	280346900000	CONNECTING PIPE BETWEEN THREE-WAY PIPE AND THROTTLE VALVE BODY II	2	
E21-16	49923PC20000	CONNECTING PIPE BETWEEN THREE-WAY PIPE AND THROTTLE VALVE BODY I	2	
E21-17	50306T450300	PLATE CLAMP Φ8	8	
E21-18	280106610000	T JUNCTION	2	
E21-19	280156900000	REAR OIL RAIL	1	
E21-20	96910PAK0000	INTAKE PRESSURE SENSOR	1	
E21-21	280256900000	INTAKE PRESSURE SENSOR BRACKET	1	
E21-22	280226900000	HIGH PRESSURE OIL PIPE ASSEMBLY	1	
E21-23	289016900000	THROTTLE BODY COMPONENT	1	